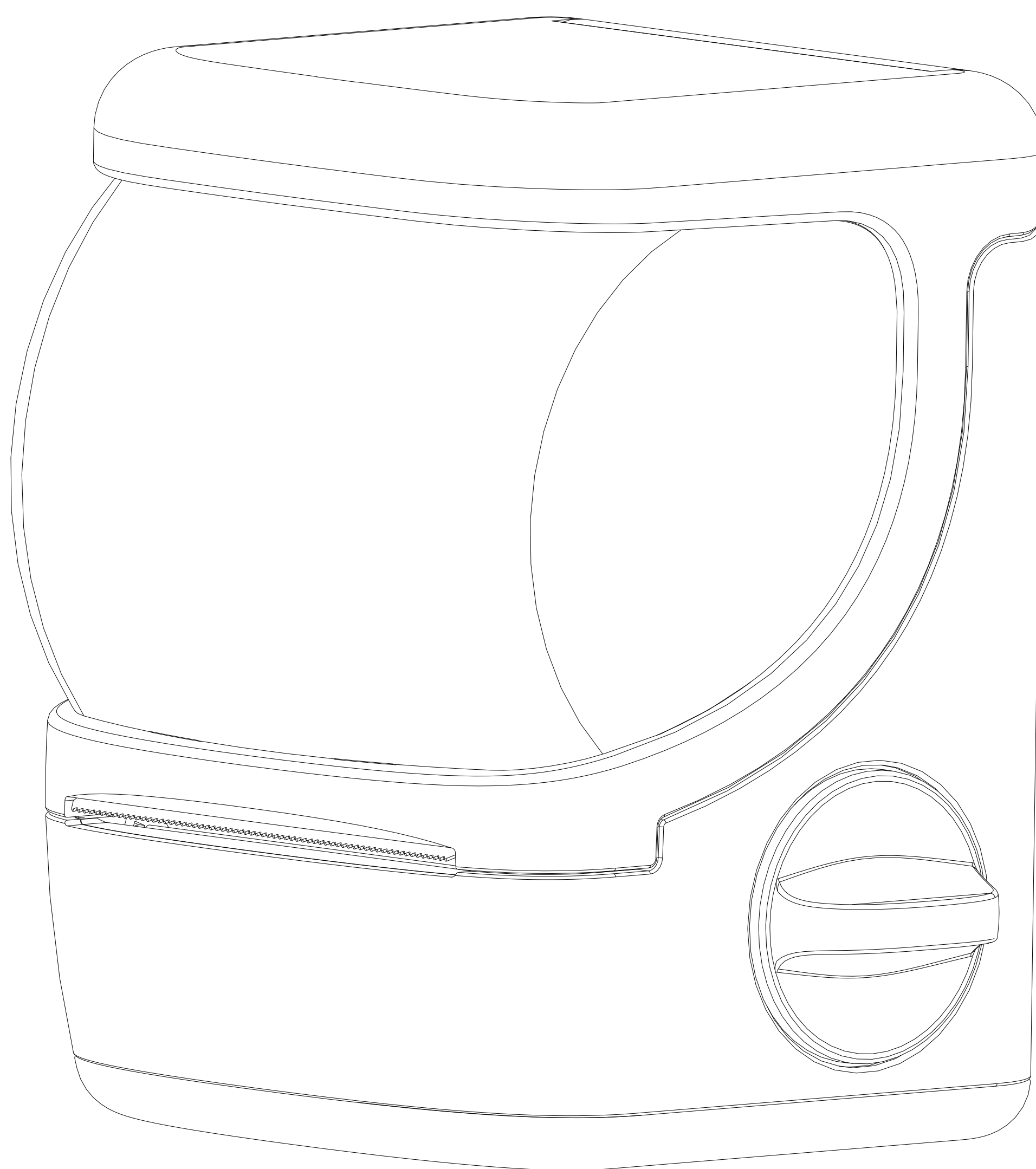


---

# New 1 Quick Start Guide

---



Please read this guide carefully before using the product. If you have more questions, please send email to us: [support@hppt.com](mailto:support@hppt.com)

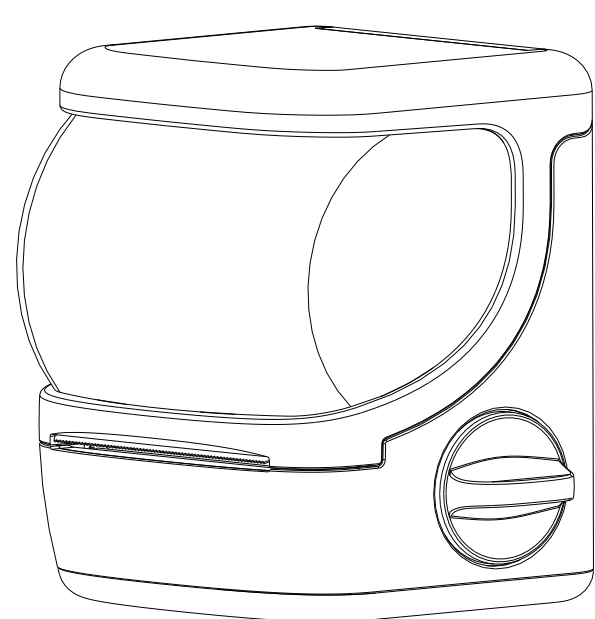


Please scan the QR code to obtain more detailed operation introductions and more function instructions.

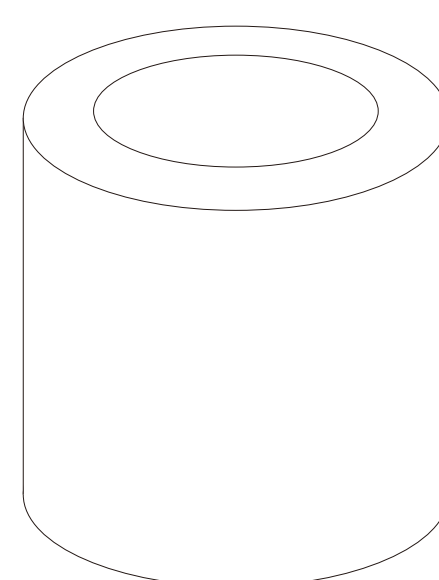


Please follow our Youtube channel to see the user guide videos of the products.

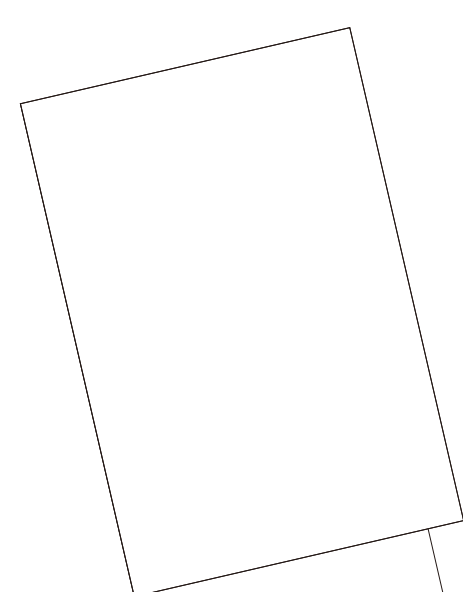
## Packing List



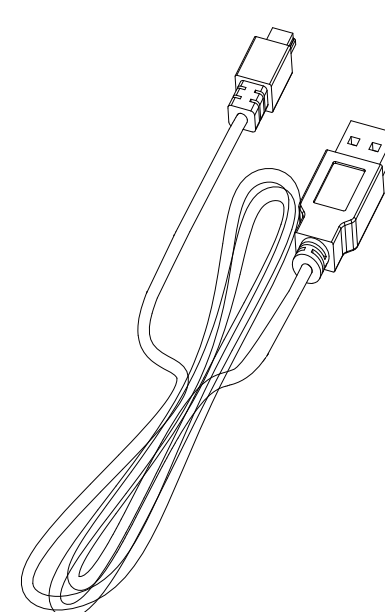
Label Printer



Paper Roll



Quick Start Guide



USB Cable



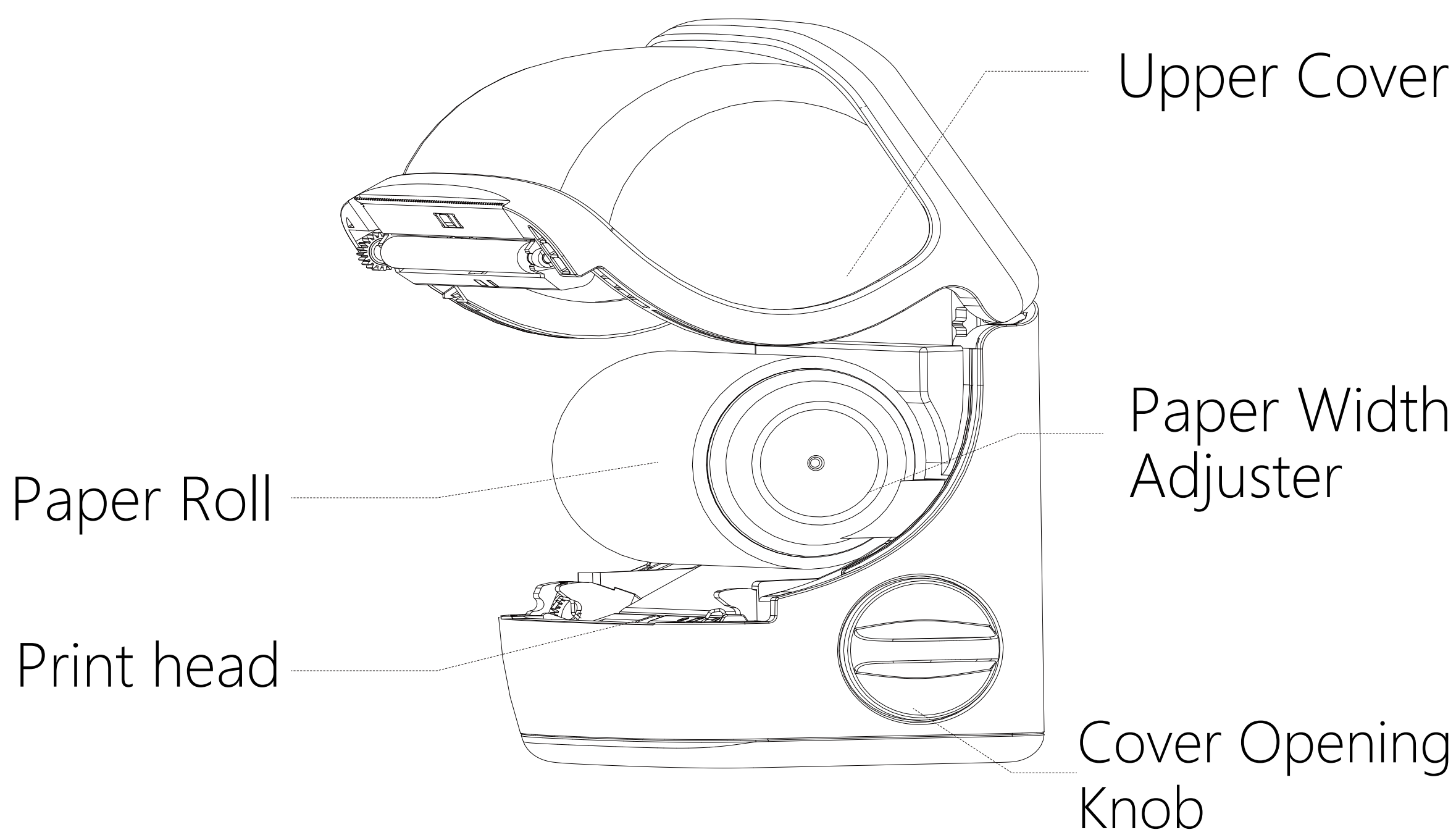
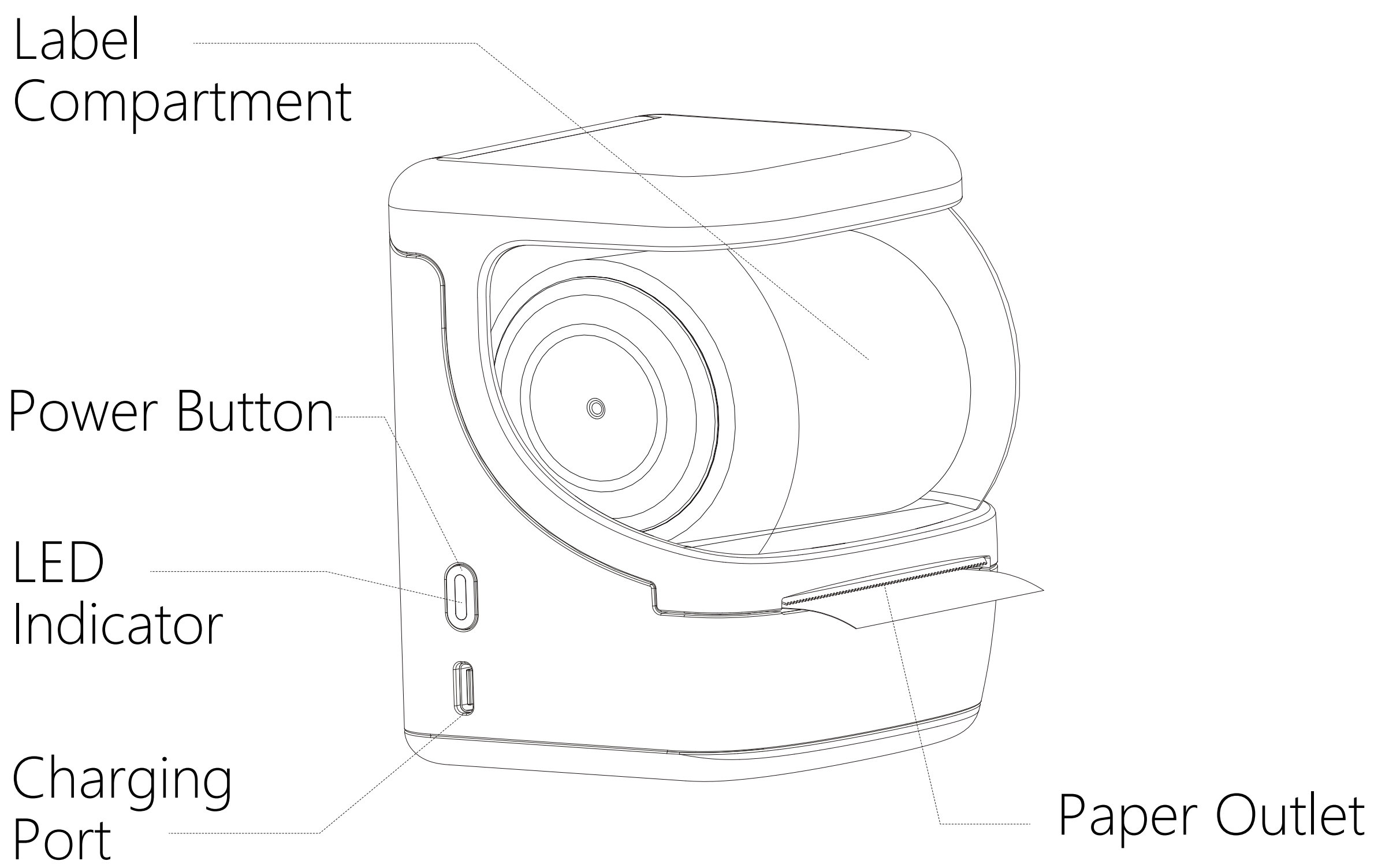
The number of paper rolls on the packing list is determined by the contents of the actual package received.

## Specifications

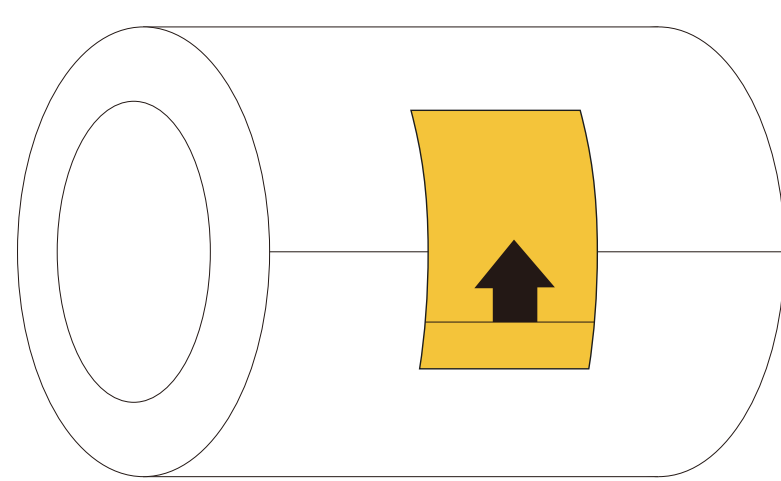
Printer Name	Label Printer
Printer Model	New 1
Technology	Direct thermal printing
Resolution	203 DPI
Weight	224 g (without accessories)
Dimensions	88*82*109 mm (3.4*3.2*4.3 inch)
Printhead Lifespan	10 km
Connection Method	Bluetooth
Consumable Size	φ45 mm, width 25-50 mm
Consumable Type	HPRT official thermal label, HPRT official black mark thermal label
Charging Port	Type-C
Power Input	5V = 1A
OS Supported	Android, iOS

# Product Introduction

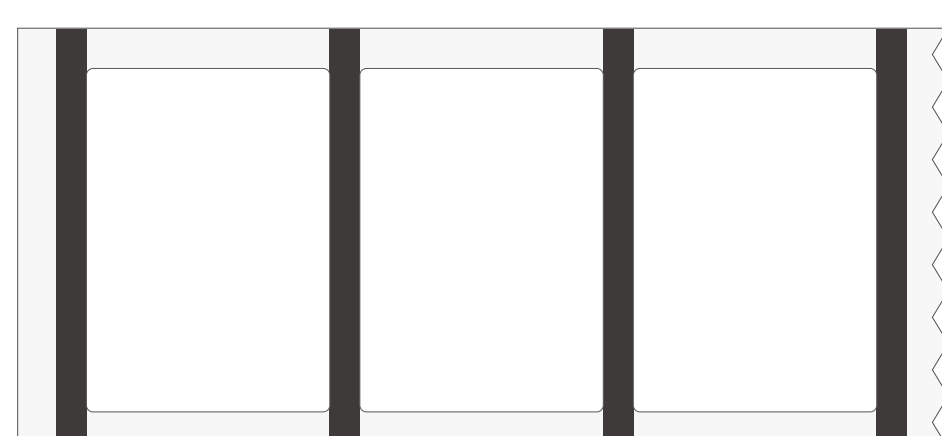
## 01 Label printer display



## 02 Features of labels



Various labels are compatible with the printer:



## Power Button & LED Indicator Description

### 01 Power button

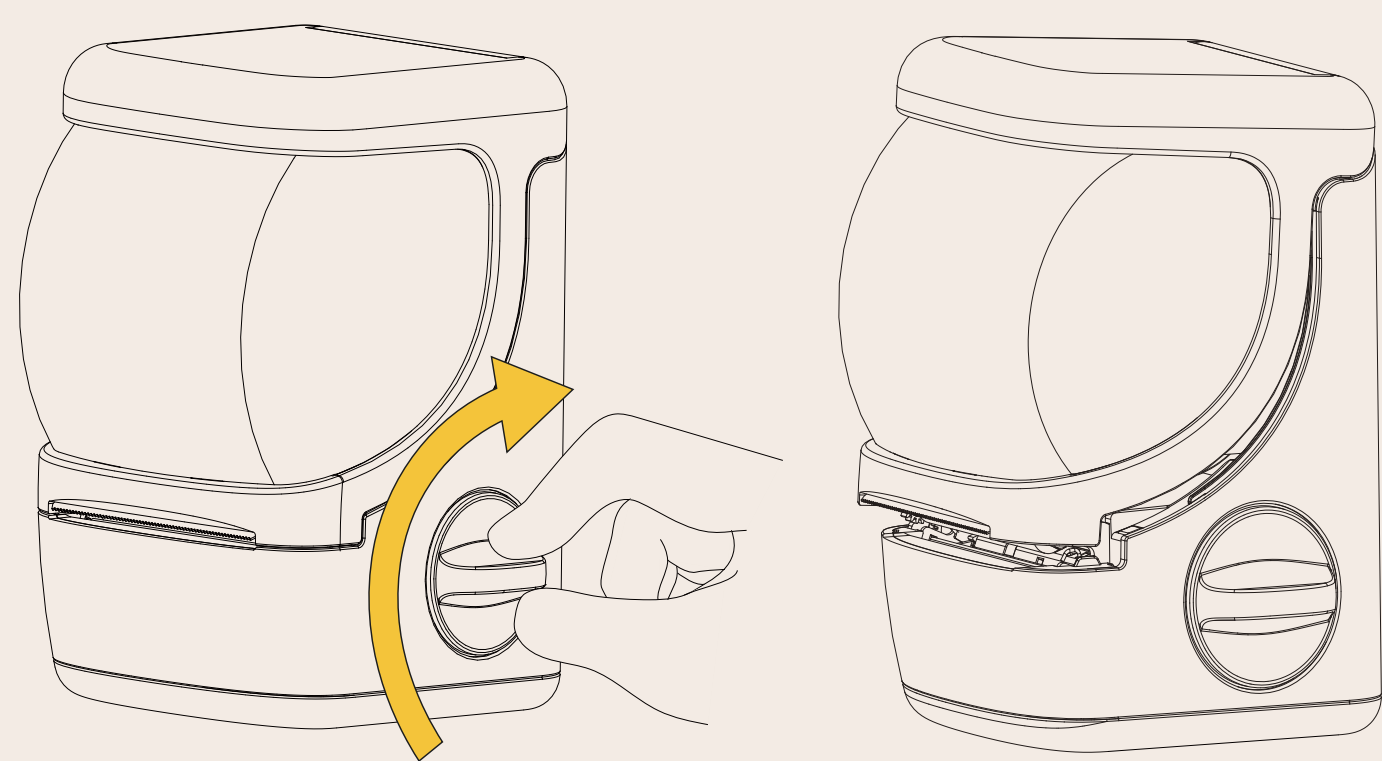
Button	Operation	Functions
Power button	Hold for 3 seconds	Turn on/off
	Press twice	Position the label
	Press three times	Print self-test page

### 02 LED indicator

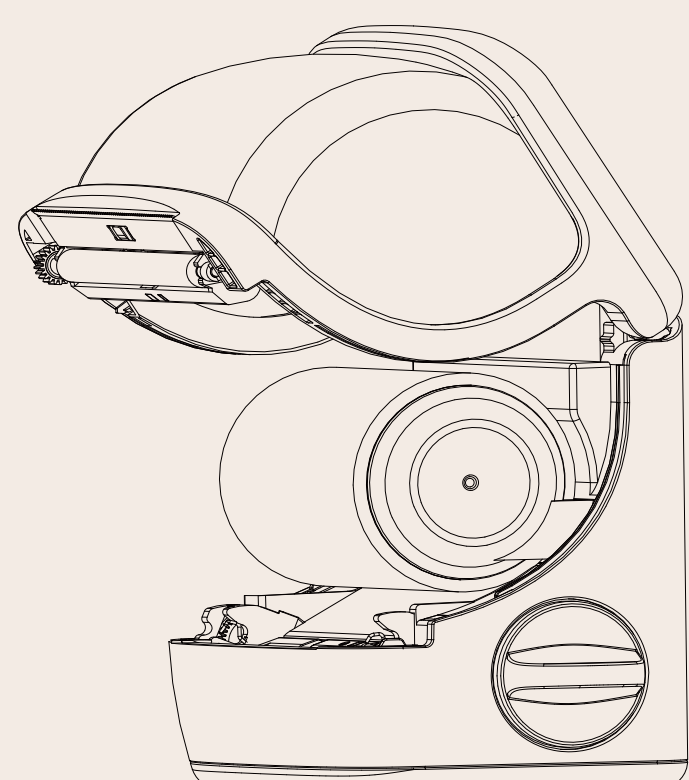
○ White light	Normal/Charging finished
○ Blinking slow white light	Charging
● Red light	Error (Paper jam/Out of paper/ Cover opened)
● Blinking slow red light	Low power
● Blinking fast red light	Overheat

## How to Use

### Method 1



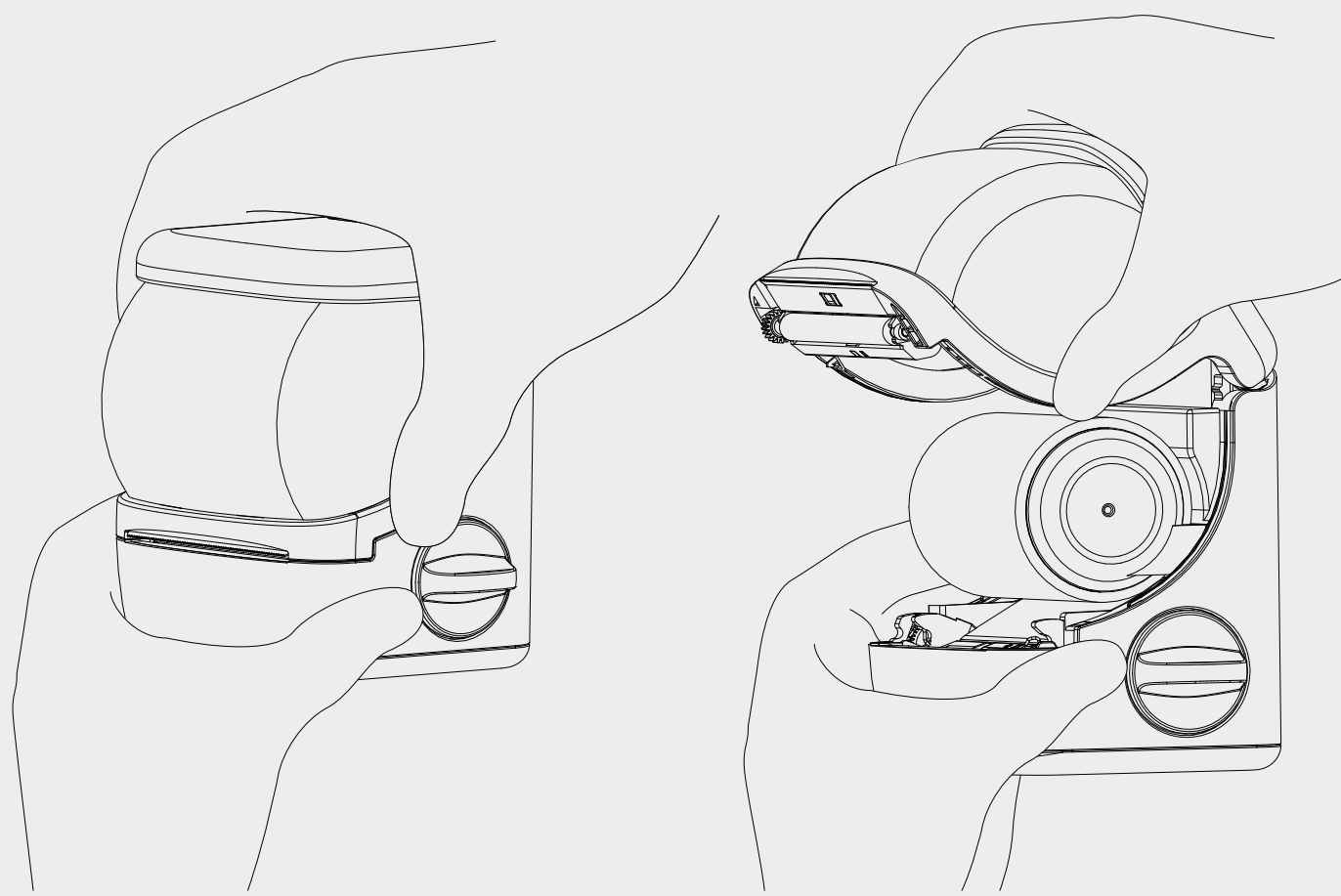
**01** Turn the knob clockwise in the direction indicated by the arrow and the upper cover will pop open.



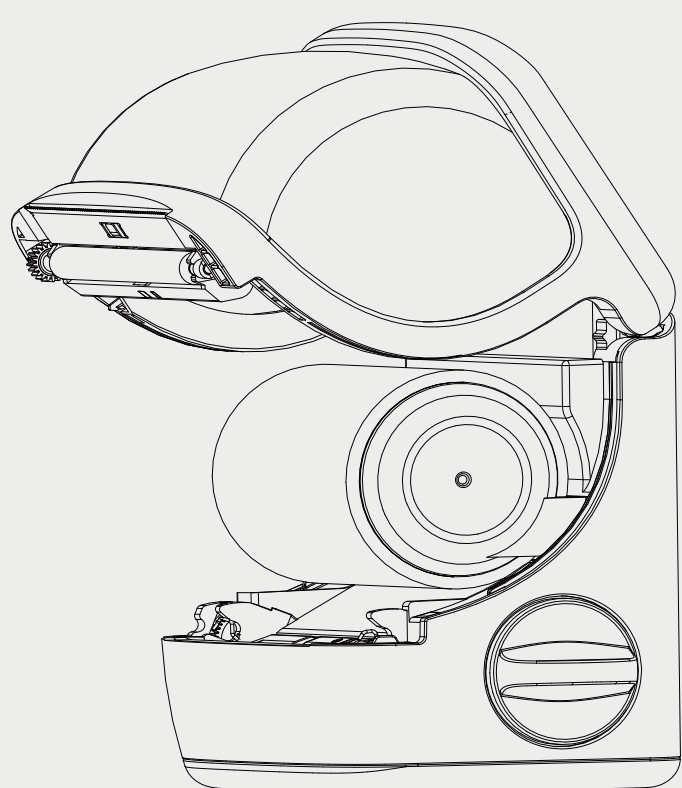
**02** Lift the cover to the position shown, it will hold still.



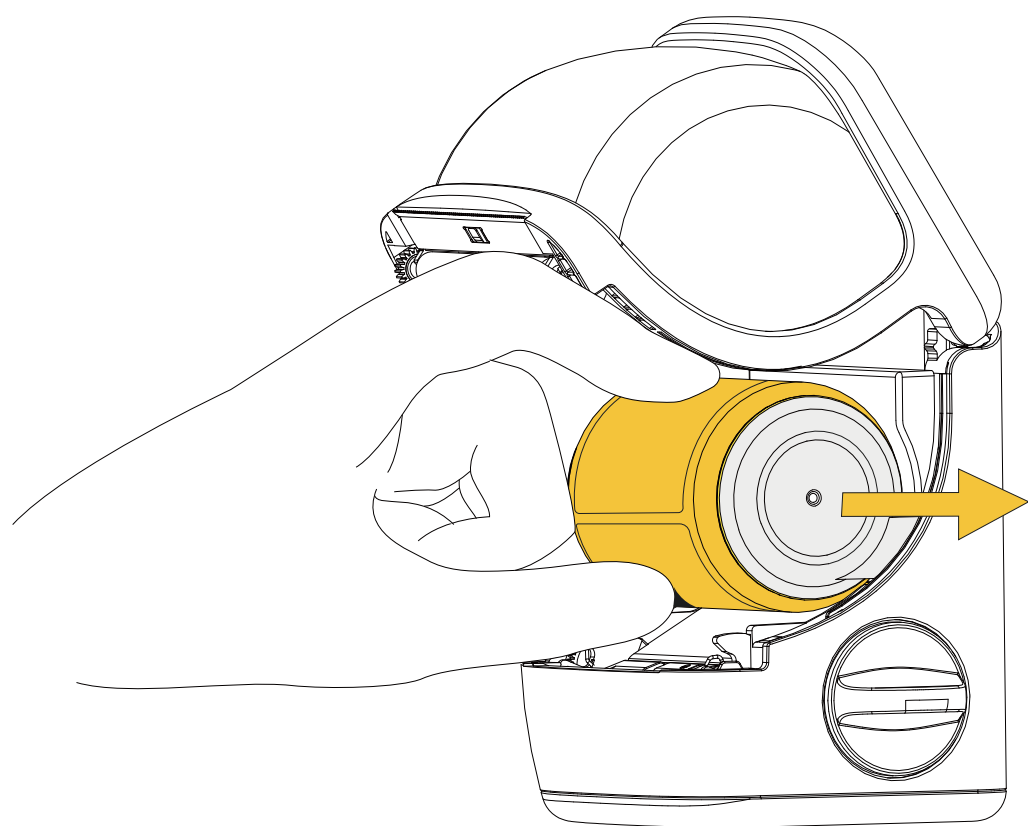
## Method 2



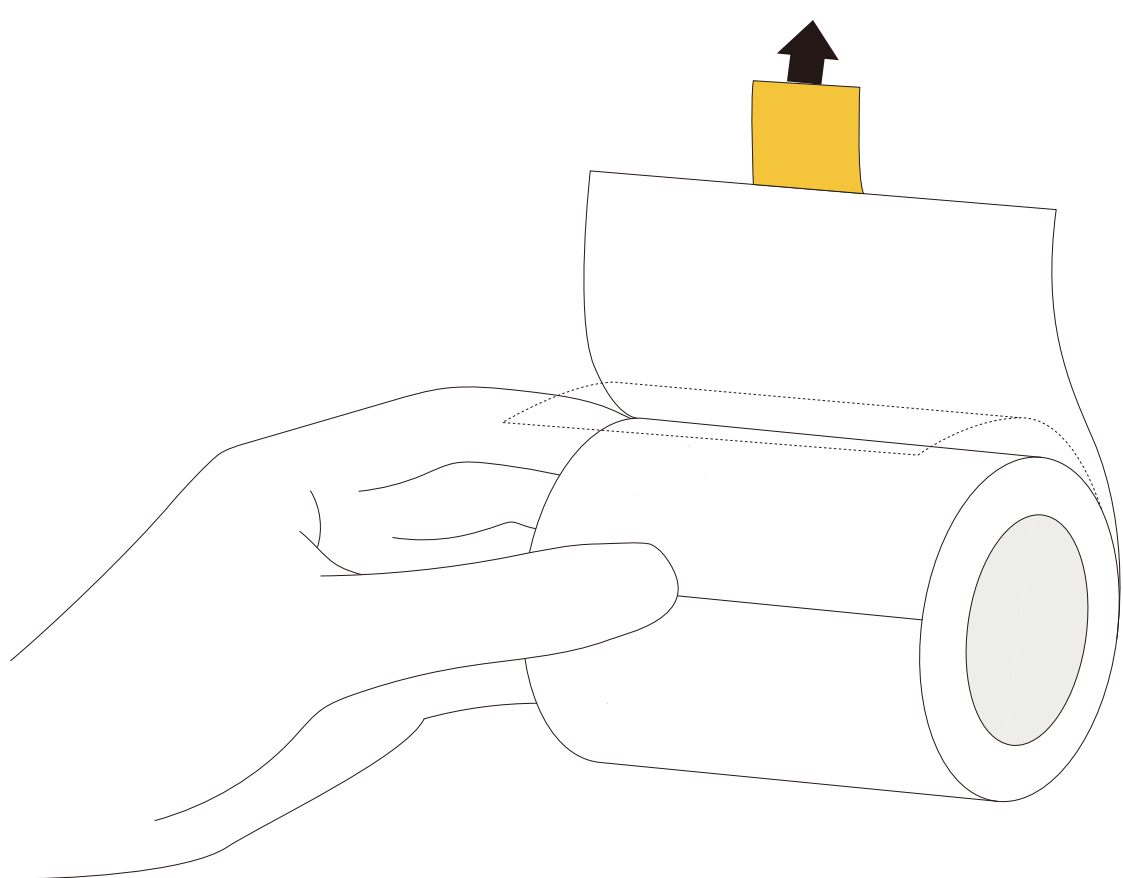
- 01** Or hold down the printer with one hand, grasp both sides of the upper cover with the other hand, and lift it upward.



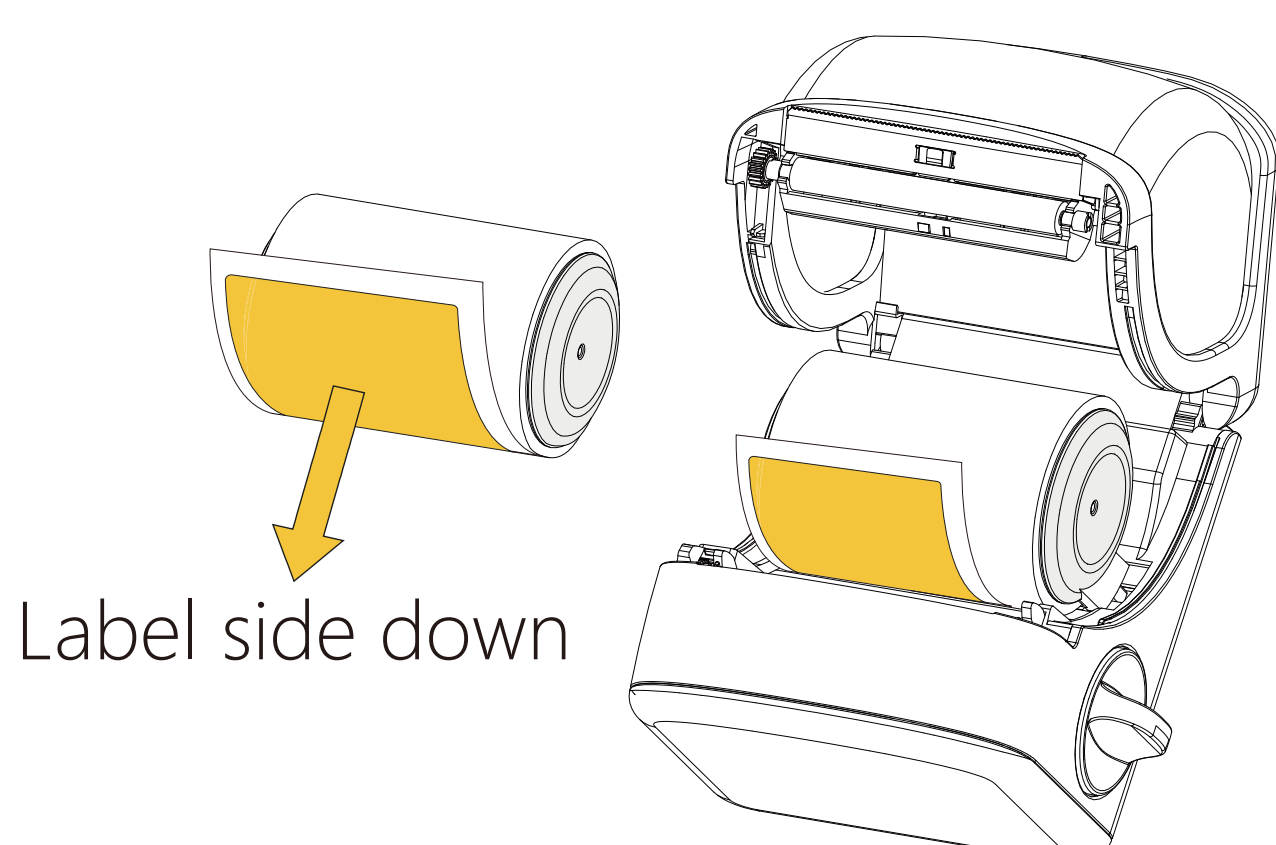
- 02** Lift the cover to the position shown, it will hold still.



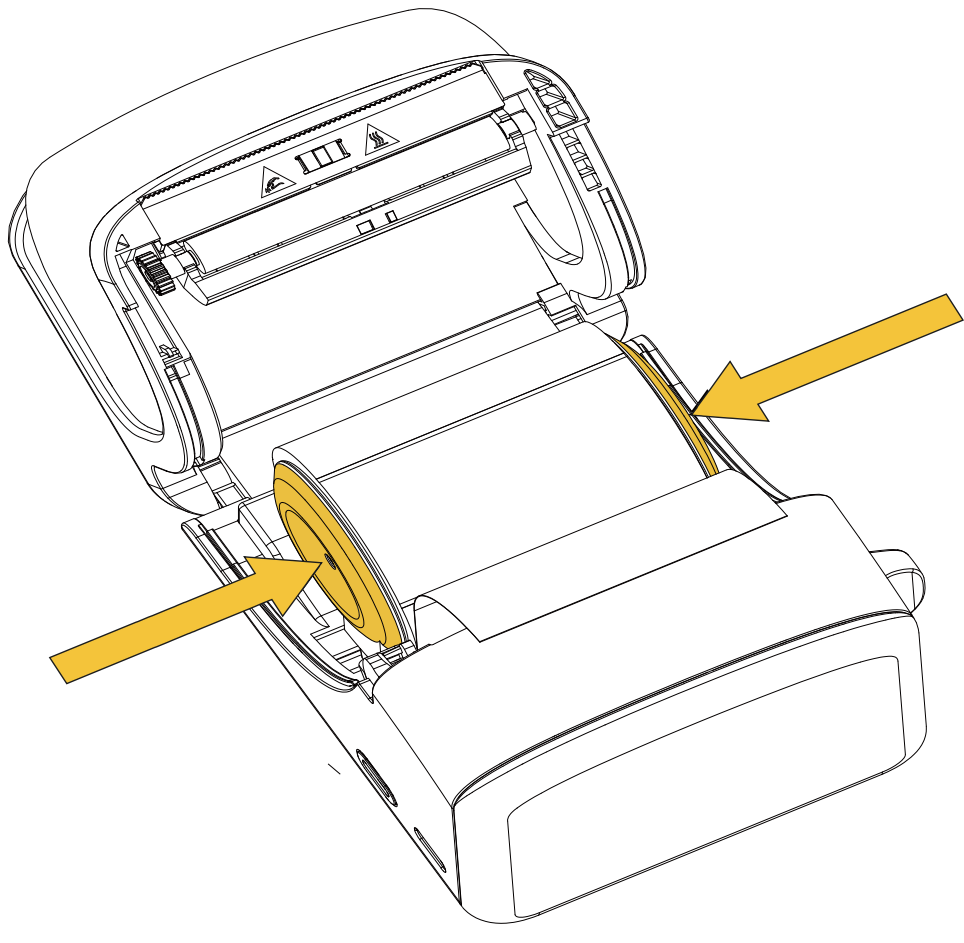
- 03** Hold the paper roll in the compartment and slide it to the right to release the adjusters at both sides. And then take out the paper roll.



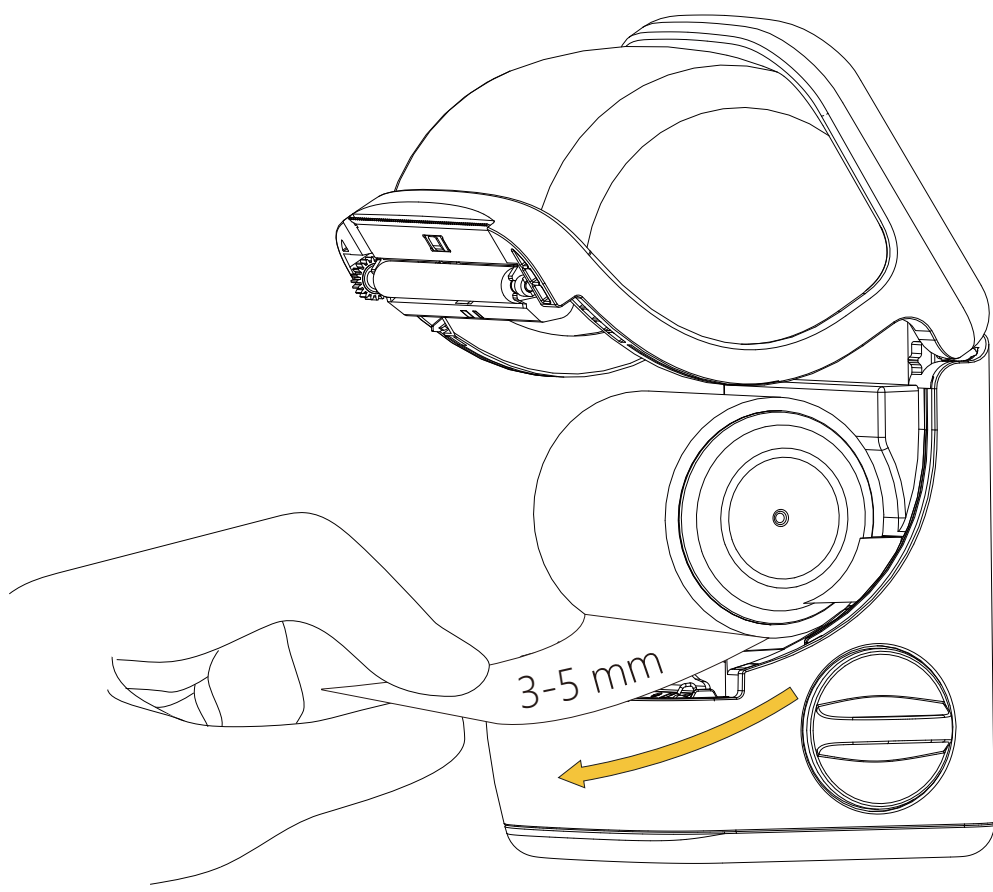
- 04** Tear the anti-loosening sticker on the roll.



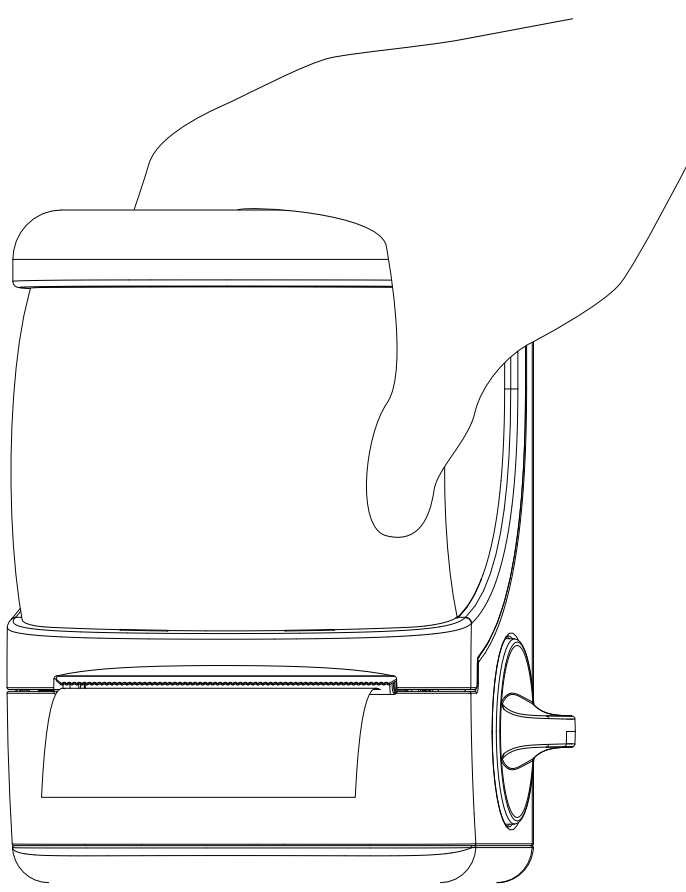
- 05** Load the paper roll into the label compartment with the printing side facing down.



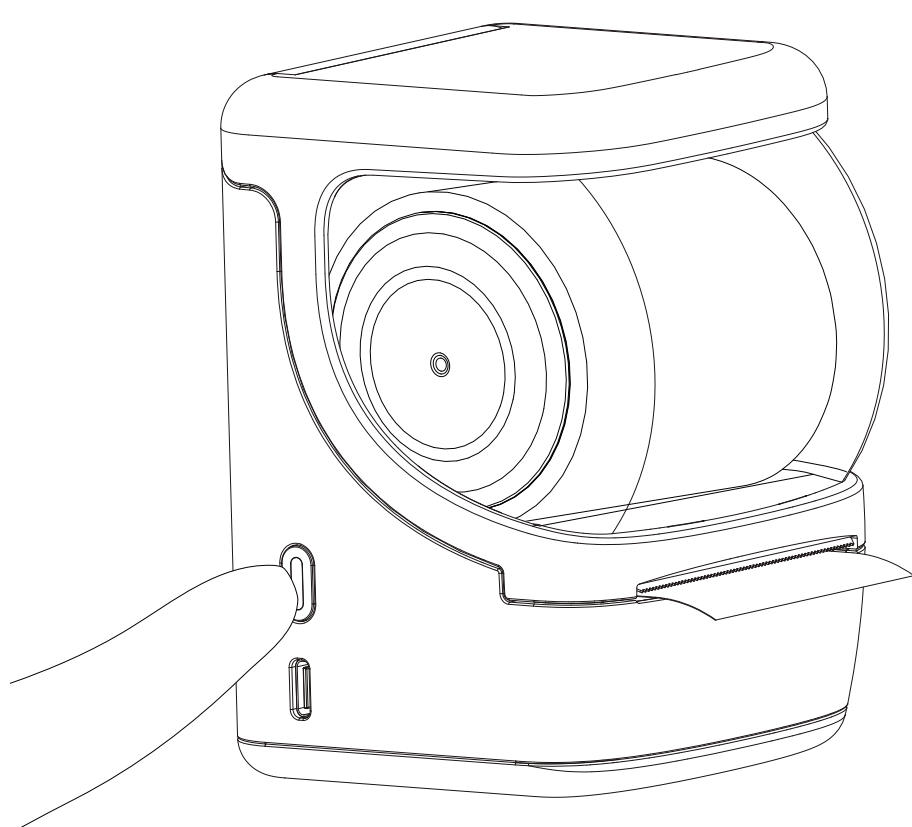
- 06** Readjust the paper width adjuster to fit snugly against the two ends of the paper roll.



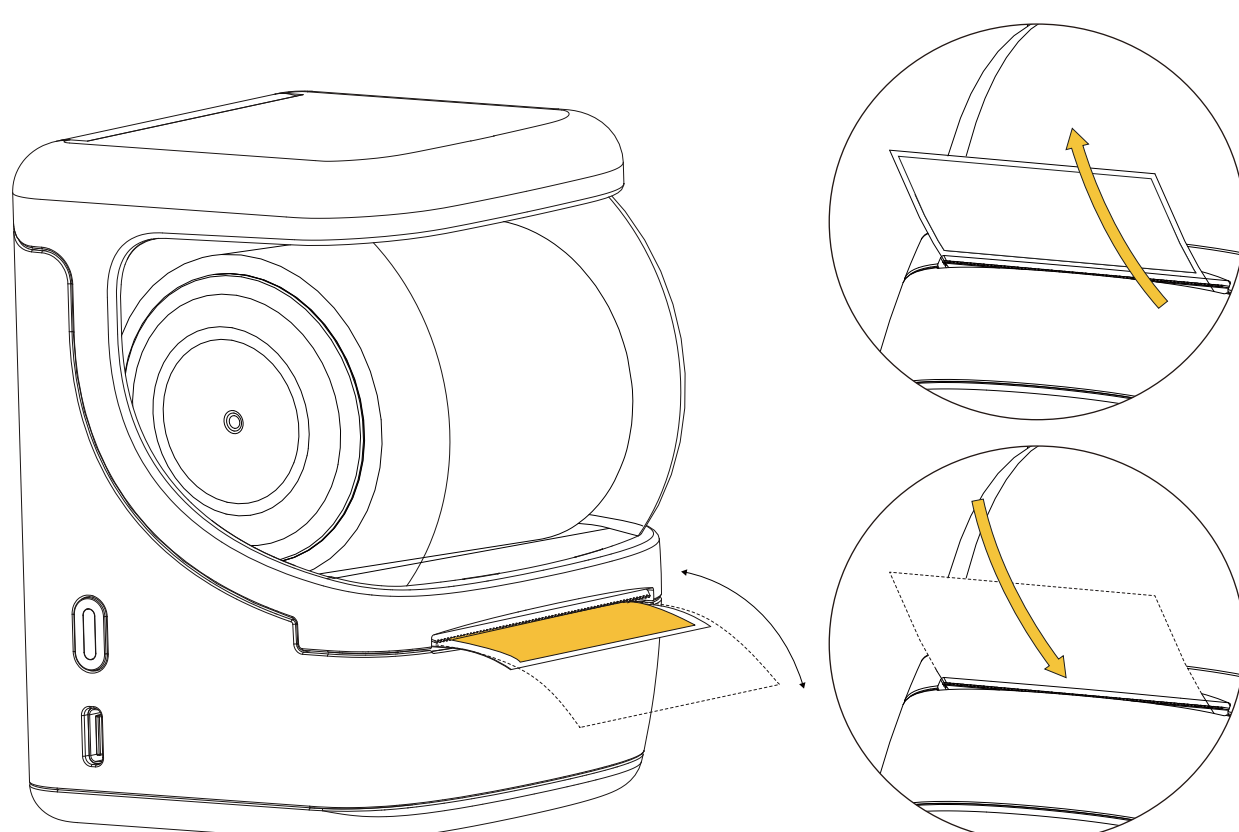
- 07** Pull out 3-5 mm of the label beyond the paper outlet.



- 08** Close the cover.



- 09** Hold down the power button for 3s to turn on the printer.



- 10** Then the label will go some distance and then fall back into the correct position and identify the label info.



Please use HPRT official paper rolls, so that our printer and app can read the label information you loaded, and so that you can directly enter the correct label editor in the app to edit and print, all these can avoid problems such as printing offset, content not centered, content loss, unclear printing, device damage, etc.



Since the surface of the printer is made of special materials, we have specially added a protective film to protect it. Please peel off the film before your first use. If you need to clean the surface of the printer, please wipe it with a soft non-woven fabric to avoid scratching it.

## How to Download the App



You need to connect the label printer through the HerePrint app.

### Method 1



Scan the QR code to download the app.

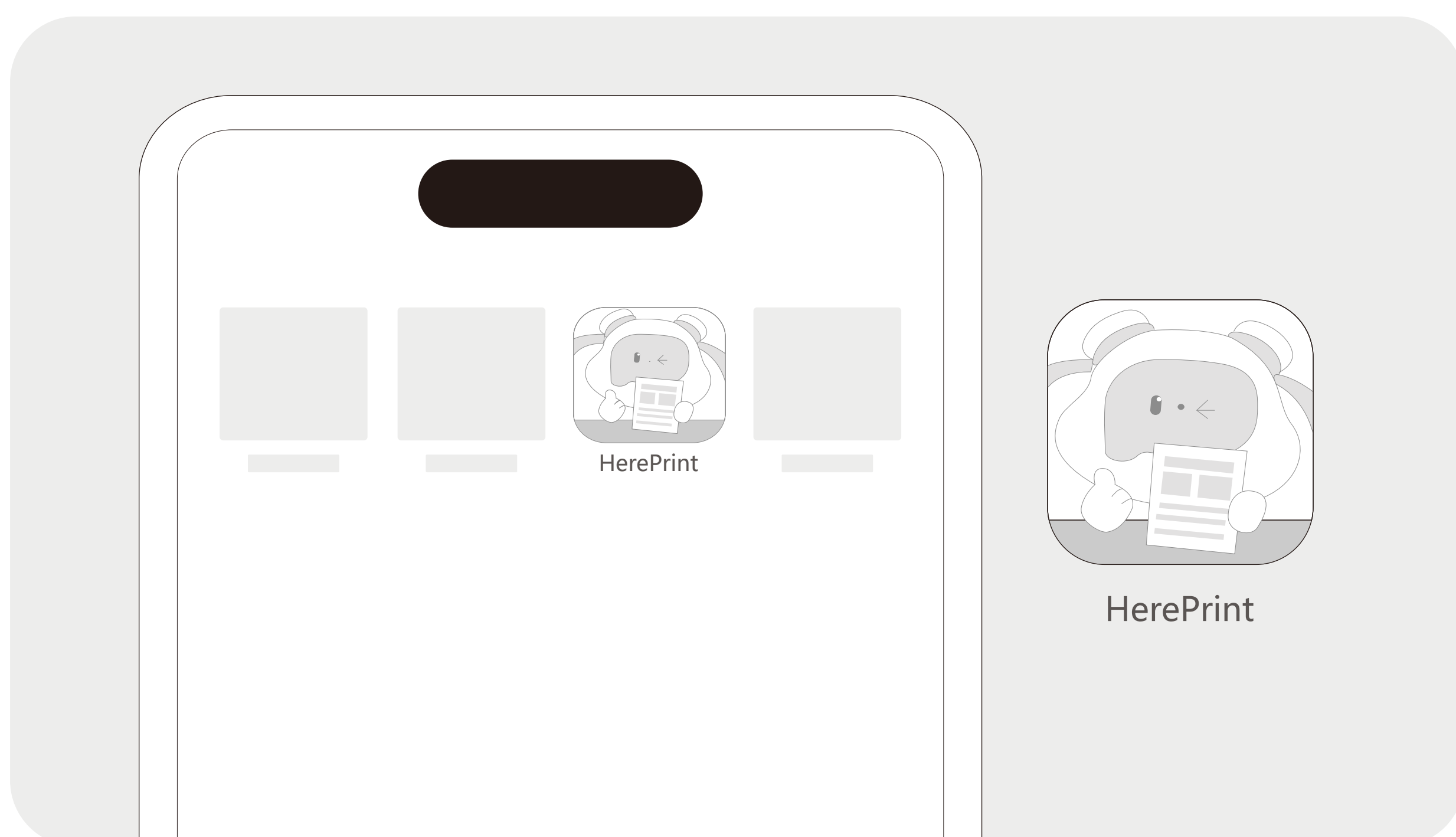
### Method 2



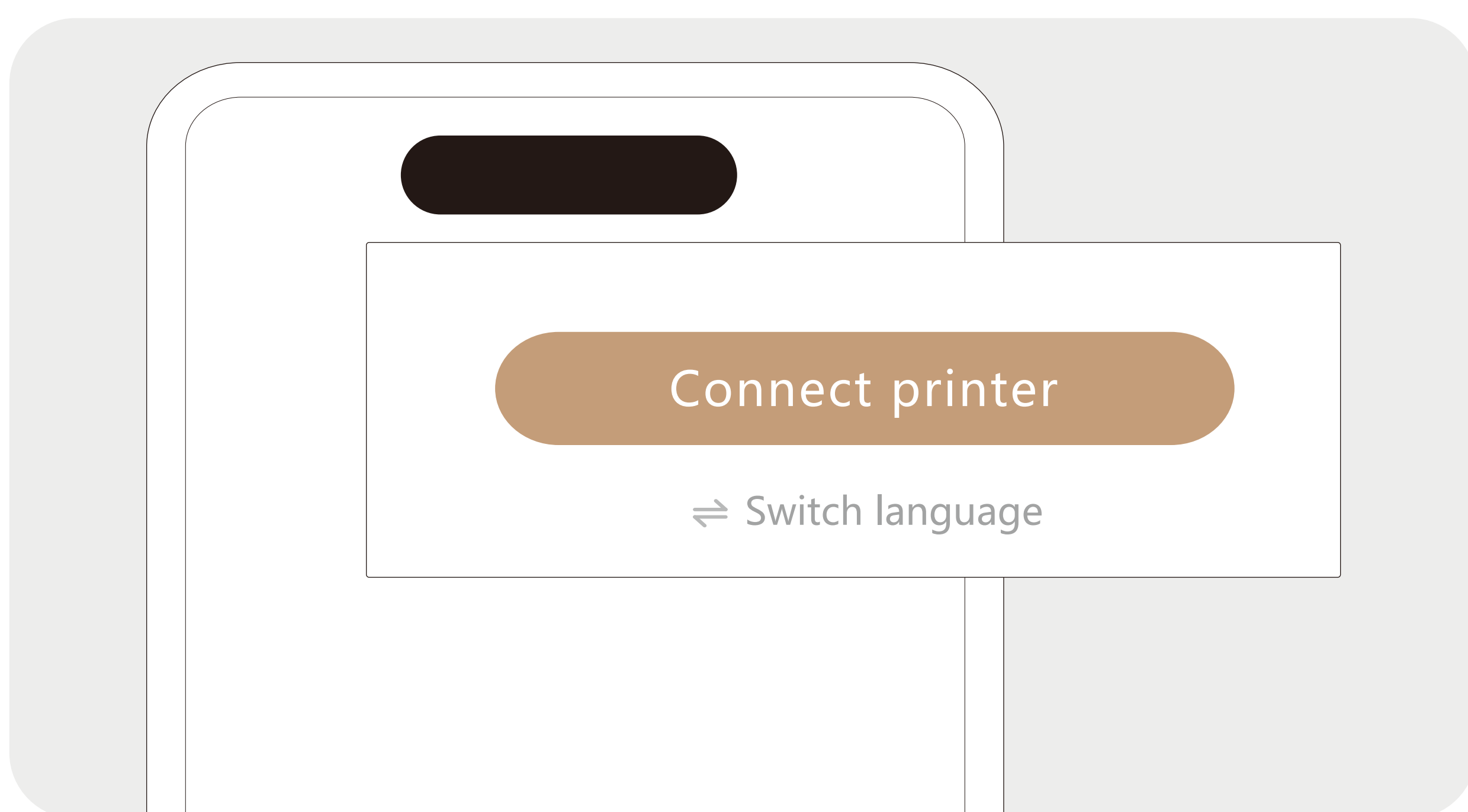
Search for "HerePrint" in App Store or Google Play to download the app.



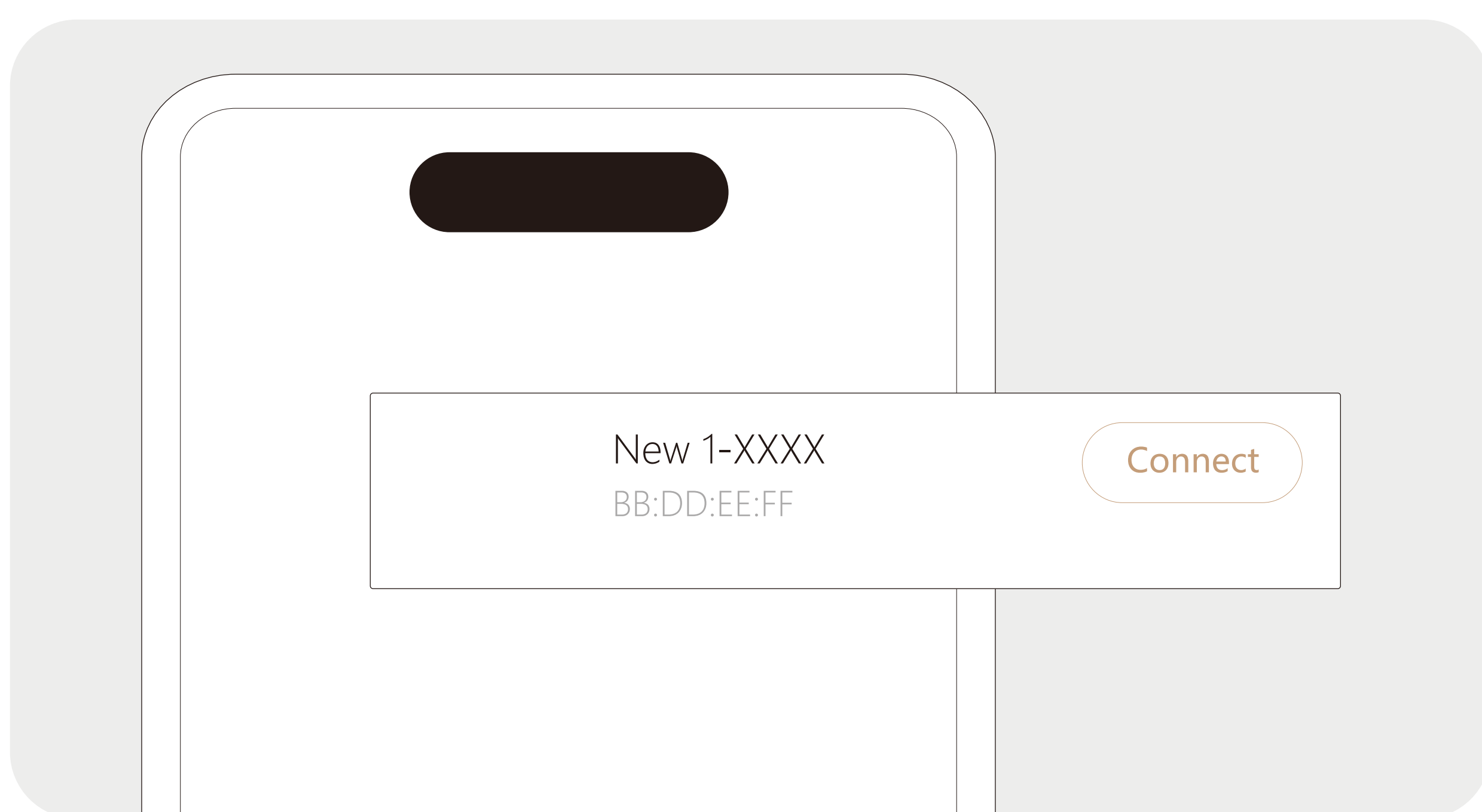
## How to Connect and Enter Editor



01 Open the app "HerePrint".

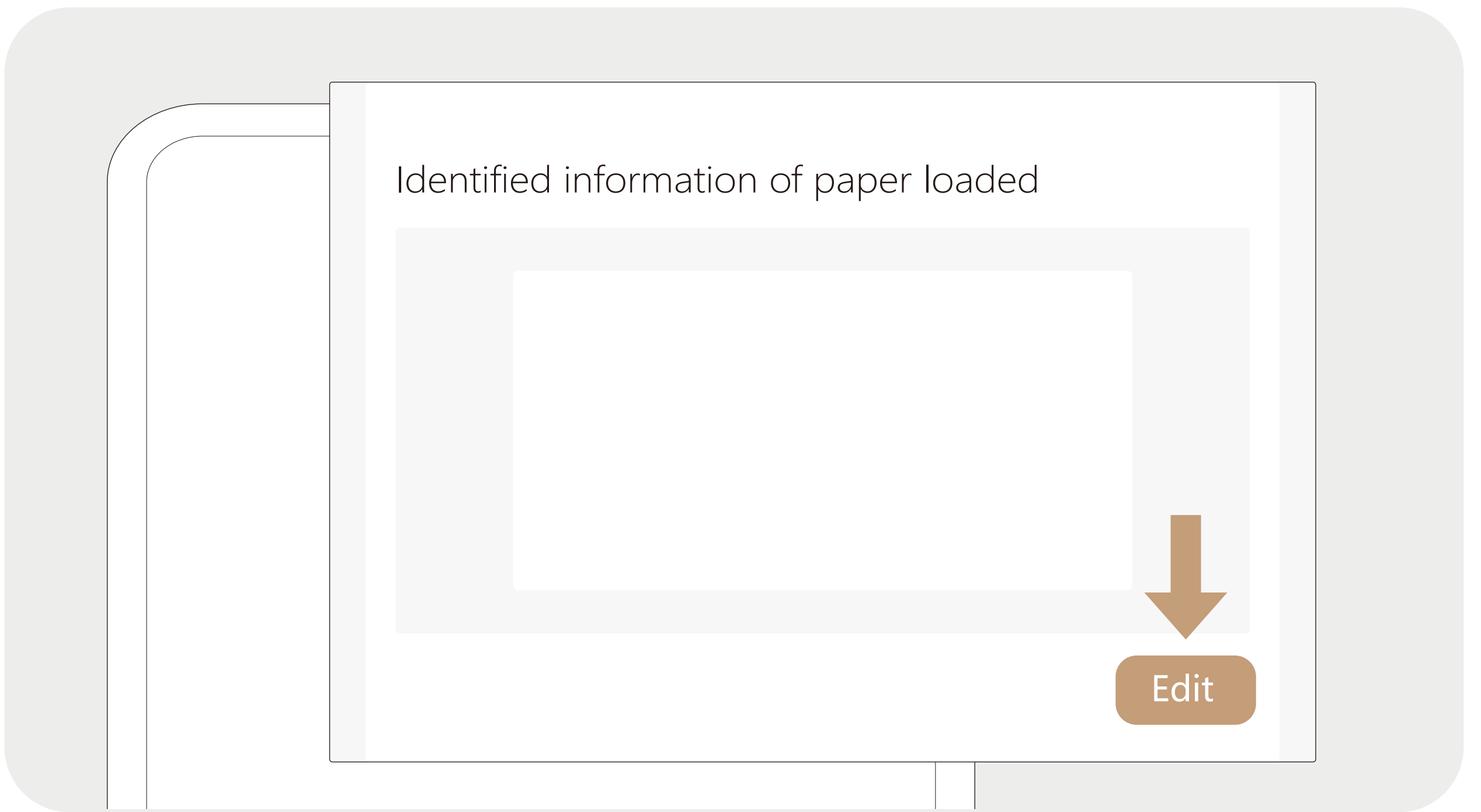


02 Click the "Connect printer" button to search for the printer.

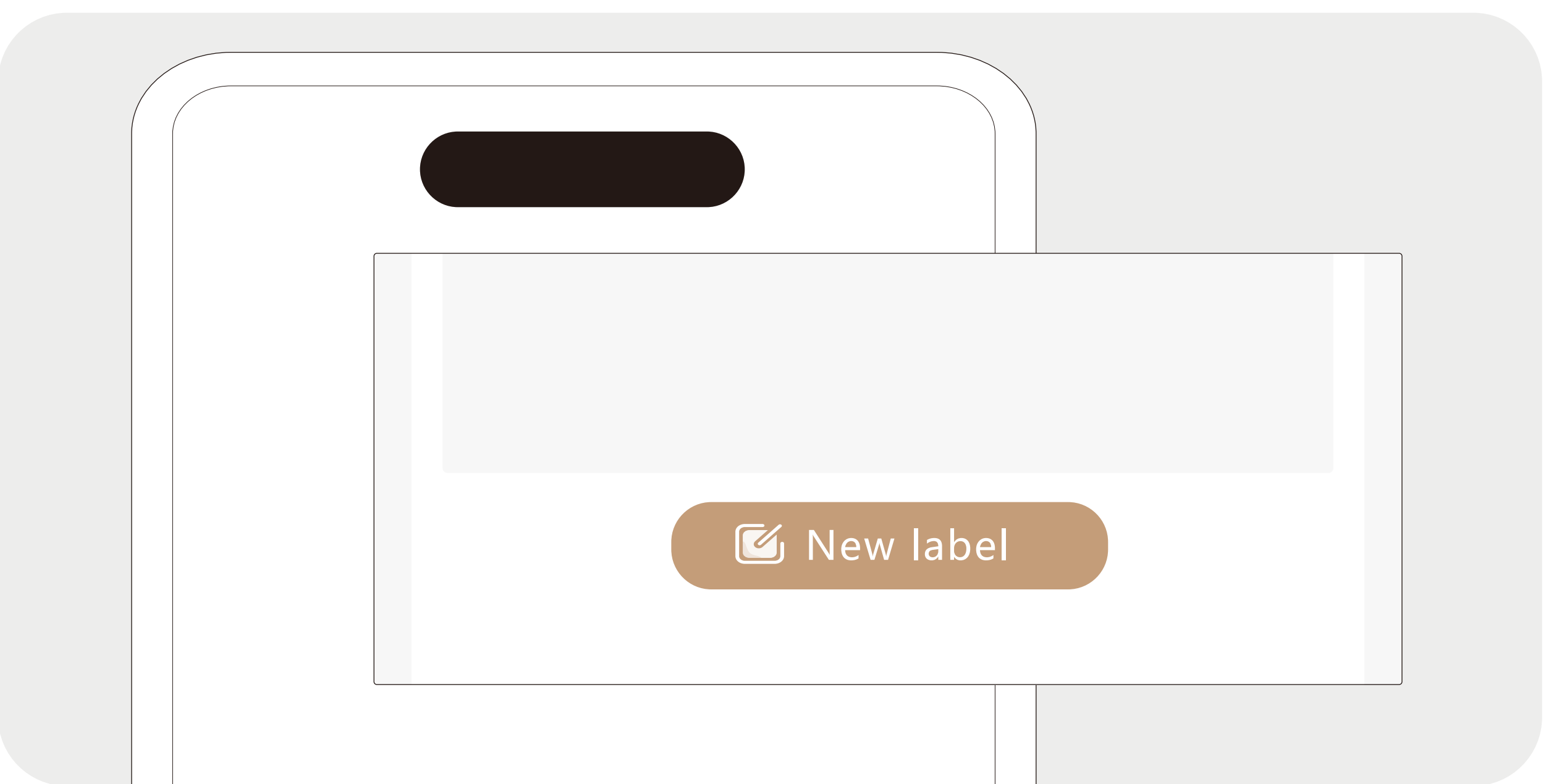


03 "Connect" with "New 1-XXXX".

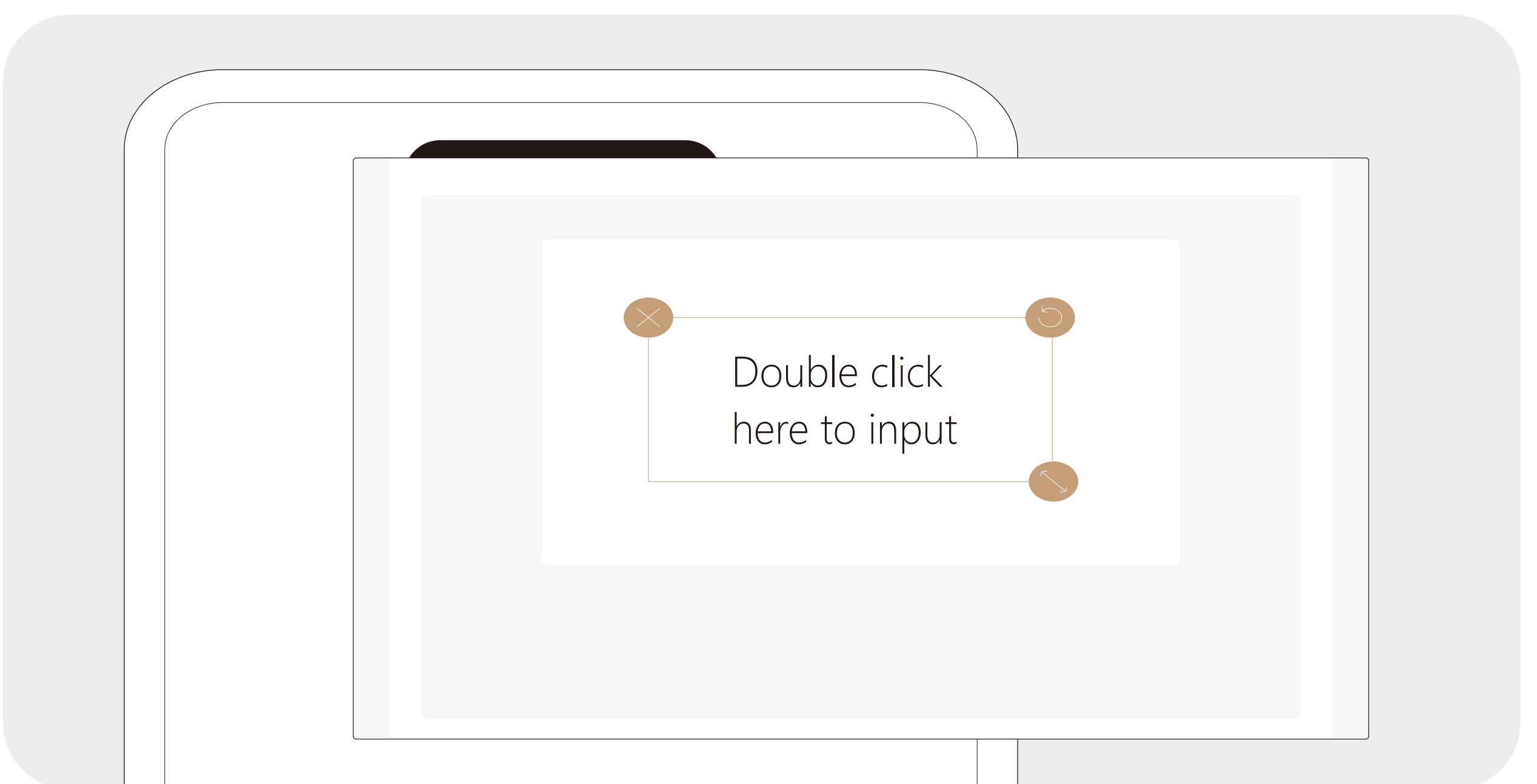




**04** After connecting, click "Edit" (Swipe left and right to select first the label style you will print).



**05** Or click "New label" (Only applies if all labels in a roll are of the same style).

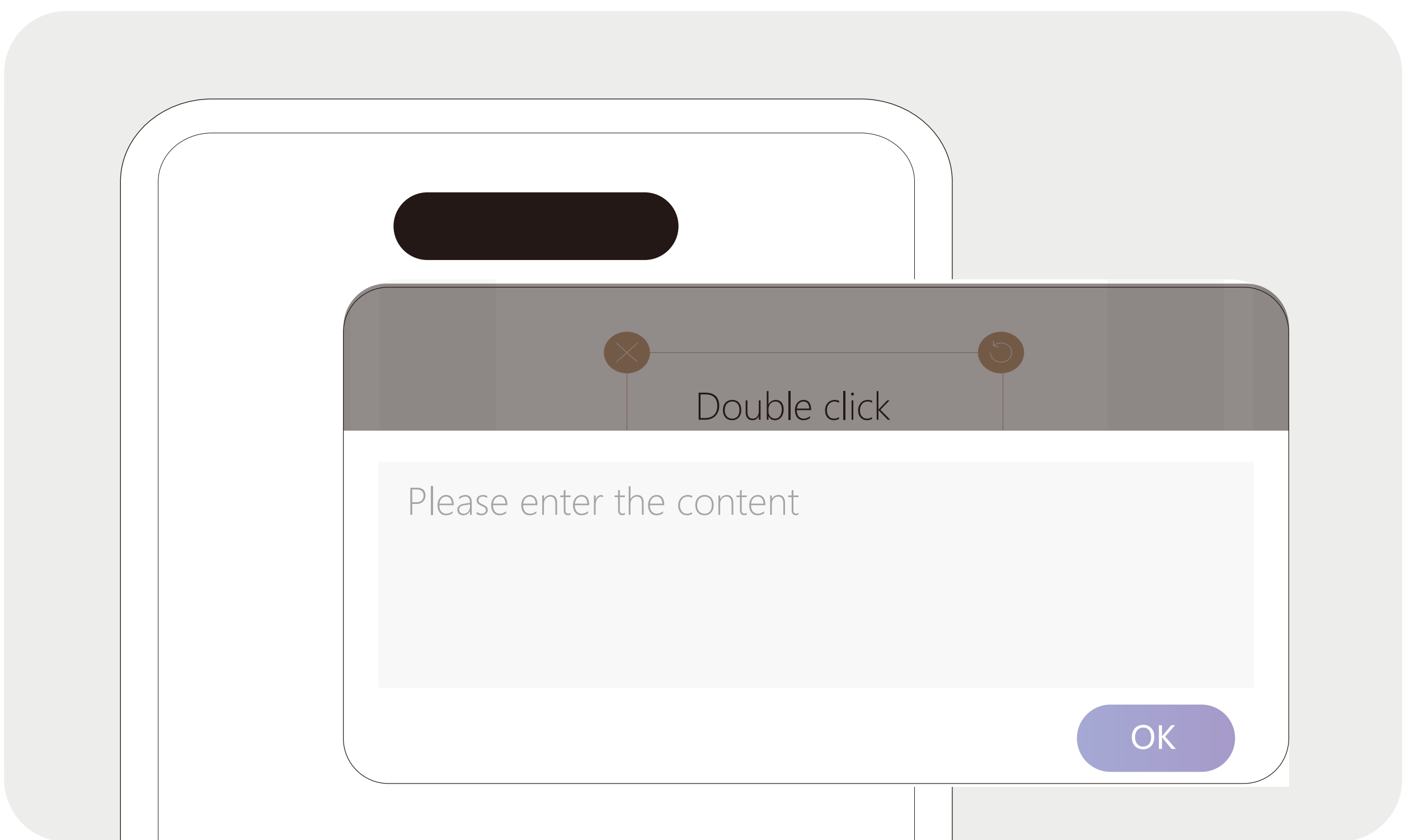


**06** Now enter the editor.

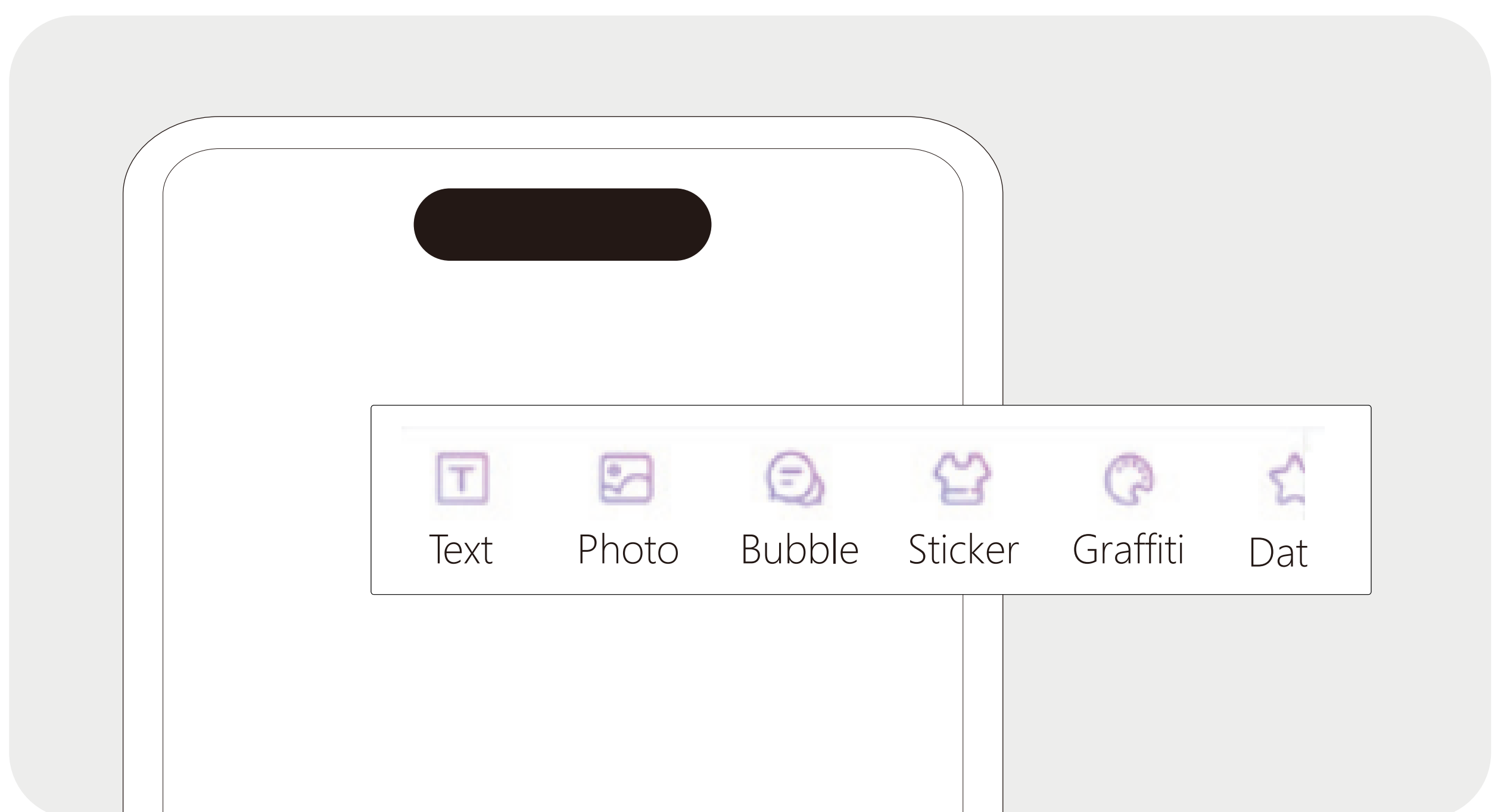
**!** The interface on **04** can only be activated when using HPRT official paper rolls.

**!** Before connecting to the printer in HerePrint, please make sure that the printer is turned on and your phone's Bluetooth is on.

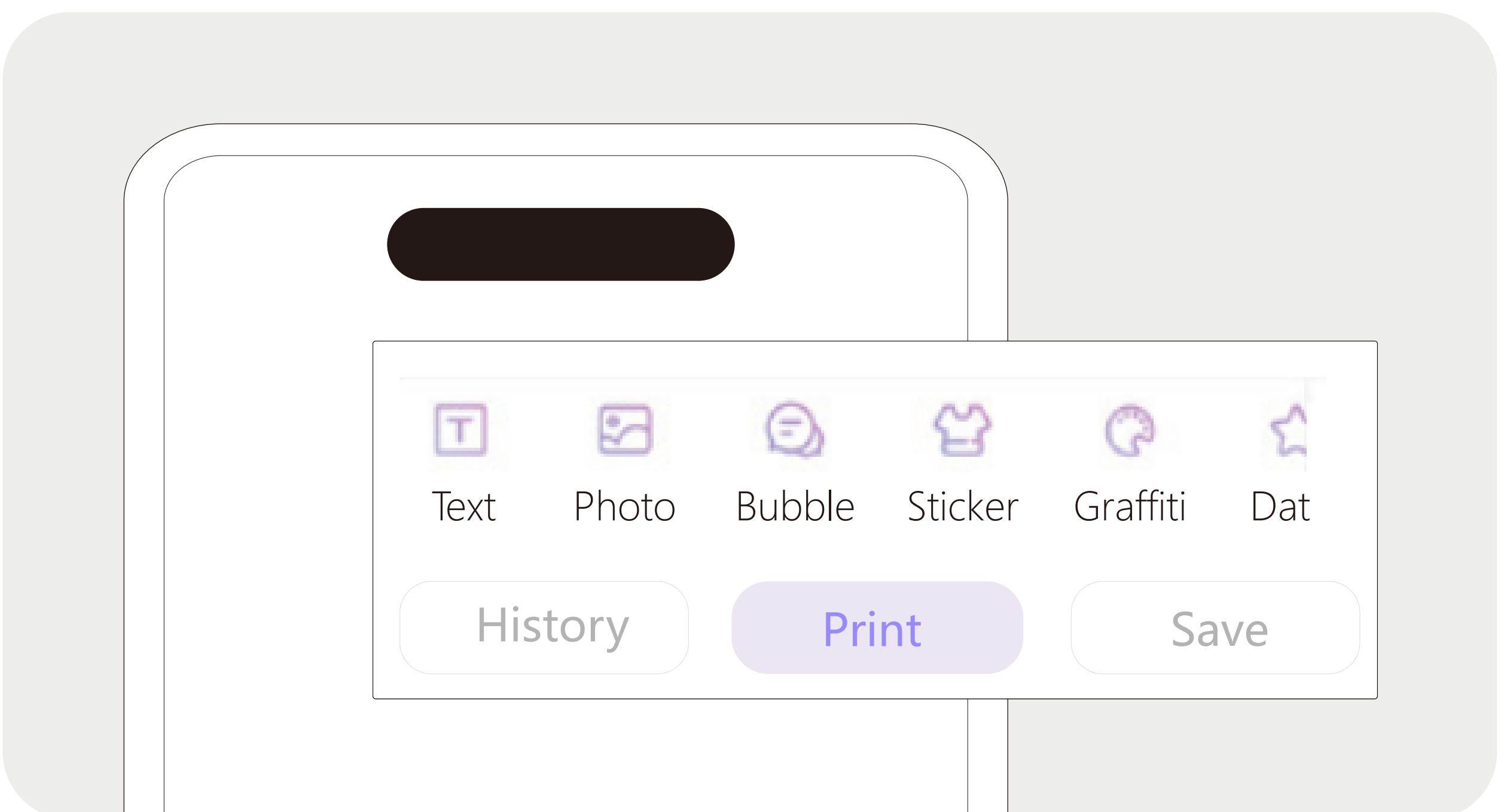
## How to Print



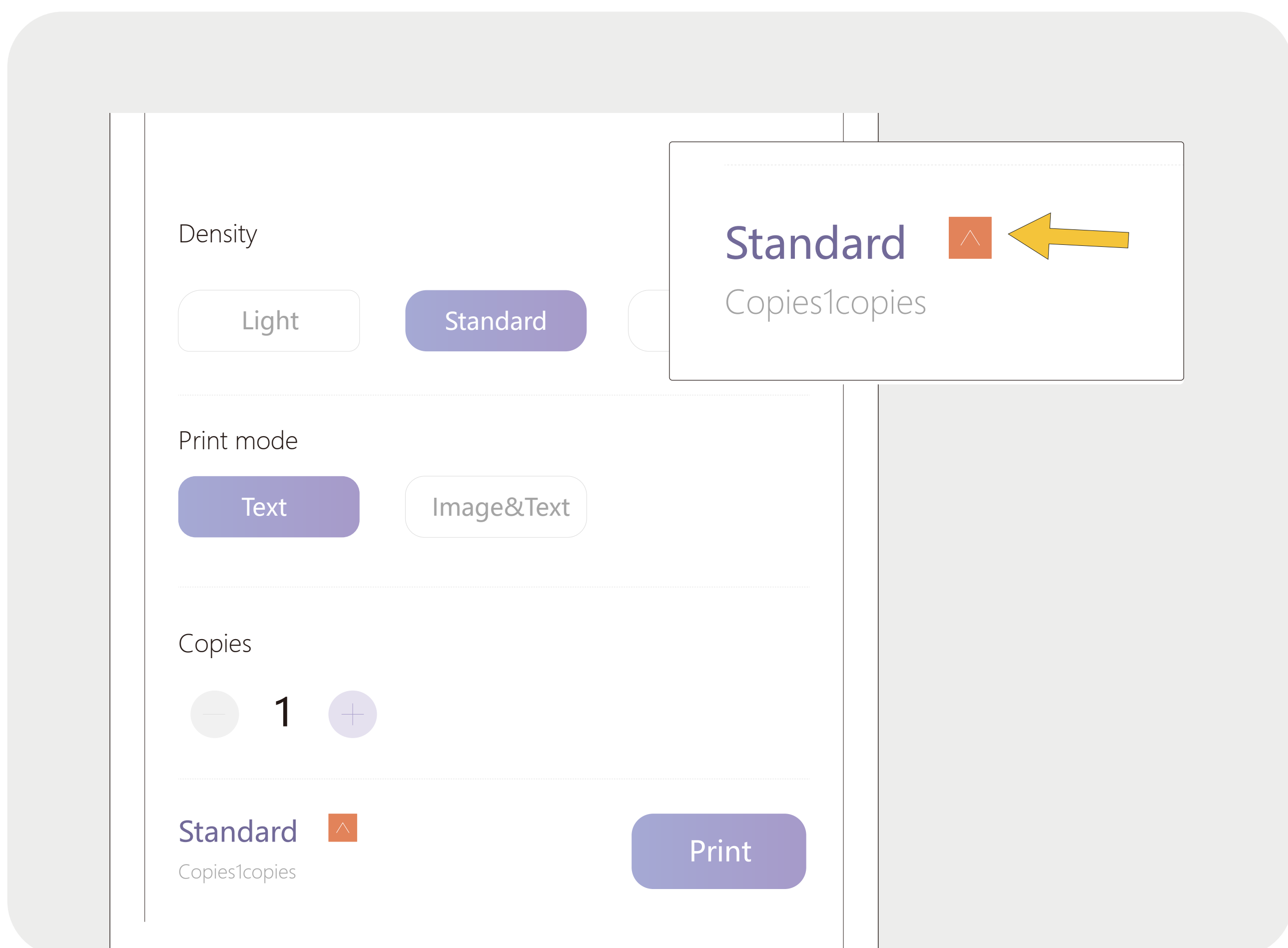
01 Double-click the text box to enter your text.



02 Edit functions as needed.



03 Click "Print".



**04** Click the orange button to adjust "Density", "Print mode", "Copies", and then click "Print".

**!** If you need more detailed introductions to the app functions and operation instructions, please scan the first QR code of this guide to get it. Or please contact us via the app "Me" - "Email consultation", we will get back to you as soon as we receive the message.

## FCC Warning

This device complies with part 15 of the FCC Rules. Operation is subject to the following two conditions: (1) this device may not cause harmful interference, and (2) this device must accept any interference received, including interference that may cause undesired operation.

Any changes or modifications not expressly approved by the party responsible for compliance could void the user's authority to operate the equipment.

NOTE: This equipment has been tested and found to comply with the limits for a Class B digital device, pursuant to Part 15 of the FCC Rules. These limits are designed to provide reasonable protection against harmful interference in a residential installation. This equipment generates, uses and can radiate radio frequency energy and, if not installed and used in accordance with the instructions, may cause harmful interference to radio communications.

However, there is no guarantee that interference will not occur in a particular installation. If this equipment does cause harmful interference to radio or television reception, which can be determined by turning the equipment off and on, the user is encouraged to try to correct the interference by one or more of the following measures:

- Reorient or relocate the receiving antenna.
- Increase the separation between the equipment and receiver.
- Connect the equipment into an outlet on a circuit different from that to which the receiver is connected.

-- Consult the dealer or an experienced radio/TV technician for help.  
To maintain compliance with FCC's RF Exposure guidelines, This equipment should be installed and operated with minimum distance between 20cm the radiator your body: Use only the supplied antenna.

FC CE  R217-241227



After-sales Tech Support



HPRT Facebook Website

Manufacturer: Xiamen Hanin Co., Ltd.

Add: No. 96, Rongyuan Road, Tong'an District, Xiamen, China

E-mail: support@hpert.com

Web: www.hpert.com