

MUNBYN

Munbyn,
More choice for your growing business

Version 2.05

MUNBYN

ITPP047P Easy Setup Guide



1.0 Introduction	1
2.0 Check the Packing List	2
3.0 Paper Loading	3
4.0 Initial Setup	4
4.1 Set Up The ITPP047P for First Use on Windows	4
4.1.1 Download Windows Driver	4
4.1.2 USB Interface	4
4.1.3 LAN Interface	5
4.1.4 Bluetooth Printer Installation	6
4.1.5 Wi-Fi Printer Installation	7
4.2 Set Up The ITPP047P for First Use on MacBook	8
4.2.1 Download MacBook Driver	8
4.2.2 USB Interface	9
4.2.3 LAN Interface	10
4.2.4 Wi-Fi Printre Installation	11
4.3 Set Up The ITPP047P for First Use on Linux	12
4.4 Set Up The ITPP047P for First Use on Chromebook	14
4.5 Set Up The ITPP047P for First Use on Tablet/Phone	16
4.5.1 Wi-Fi Printer Installation	16
4.5.2 Bluetooth Printer Installation	18
IC Caution	20
FCC Statement	21

1.0 Introduction

This document explains the setup procedure for the ITPP047P. Please read the instructions before using the printer. For further instructions, please refer to the ITPP047 software manual and FAQ.

Software manuals: munbyn.biz/047Software



FAQ and Drivers: munbyn.biz/hp047



Notice: When dealing with links that require attention to **case-sensitive letters and numbers**, it's important to be mindful of the exact casing used in the link.

2.0 Check the Packing List



1. Printer
2. Power Cord
3. Roller
4. User Manual
5. Roll Paper
6. Power Adaptor
7. USB Cable

In case of omission or damage, please contact us via the contact details below.



support@munbyn.com



+1 6502062250



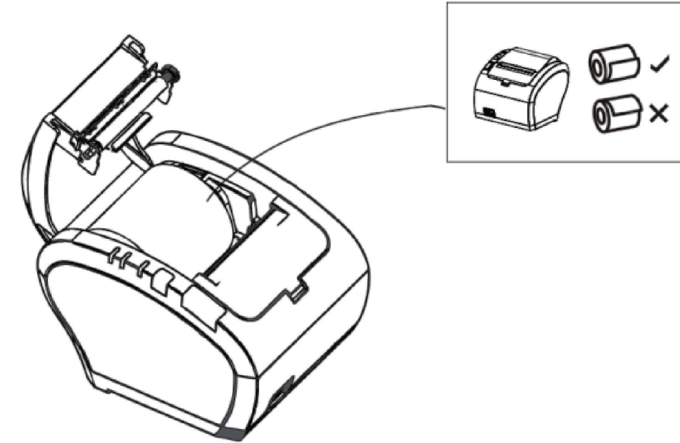
munbyn



Monday to Friday 24 hours

3.0 Paper Loading

1. Press the cover opening button and then open the cover.
2. Insert a roll of paper in the direction shown in the illustration.



3. Pull the end of the paper out straight, and push down the printer cover to close.

4.0 Initial Setup

4.1 Set Up The ITPP047P for First Use on Windows

4.1.1 Download Windows Driver

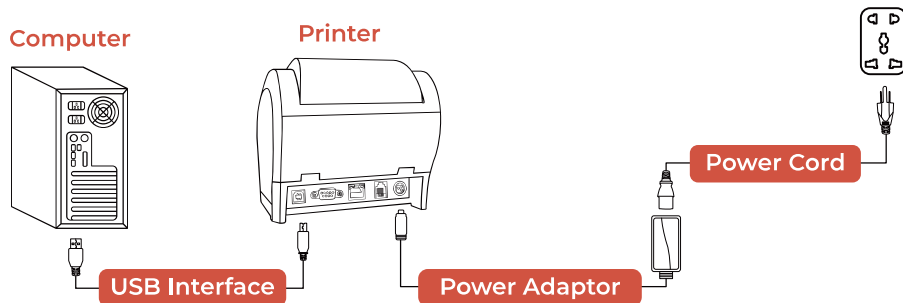
You can download the driver and setup tool at the link below:

Driver download: munbyn.biz/047driverW

Setting tool download: munbyn.biz/047WTool

4.1.2 USB Interface

- 1) Connect the printer to the power outlet via the power cord.
- 2) Connect the printer to your Windows computer via USB.
- 3) Place the thermal paper into the printer and power it on.



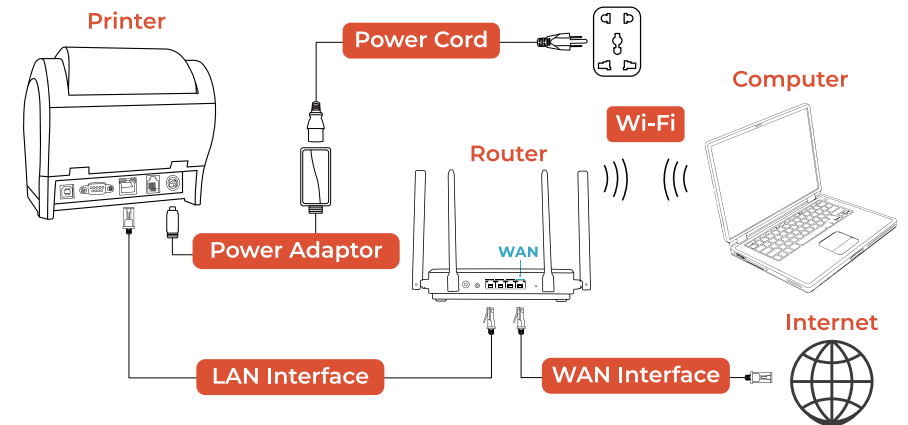
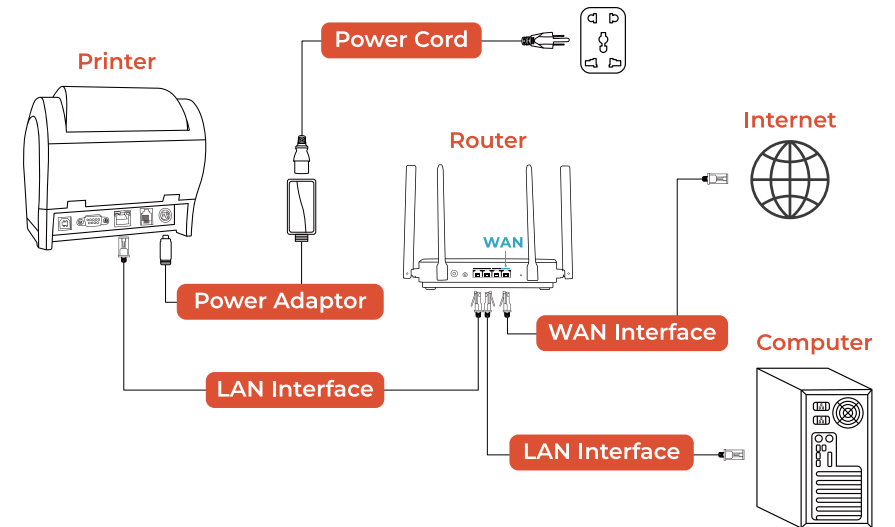
Open the downloaded driver and install it.

Demo video: <http://u.pc.cd/enX>

4.1.3 LAN Interface

Notice: Based on the label information at the bottom of the printer, it appears that the ITPP047P-UB and ITPP047P-UW printer models do not have the specified interface.

- 1) To connect the printer to the router, use a network cable when the printer is turned off. Power on the printer and wait for it to automatically configure the IP address, which should take around 5 seconds.



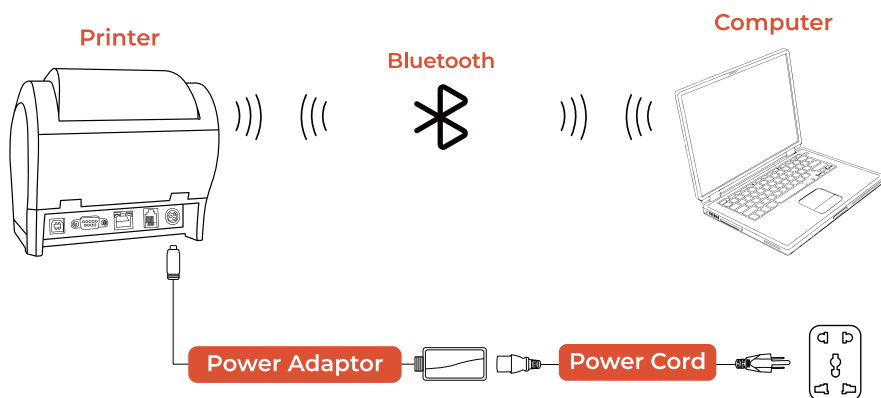
- 2) Open the driver on your Windows computer and follow the installation Path:
 1. Printer interface: LAN
 2. Port Check: click to search the IP address of the printer
 3. Click Install Now

Demo video: <http://u.pc.cd/rmD>



4.1.4 Bluetooth Printer Installation

- 1) Connect the printer to the power supply, load the paper correctly and turn it on.



- 2) According to the operation video, use a Windows computer to connect to the Bluetooth printer and install the driver.

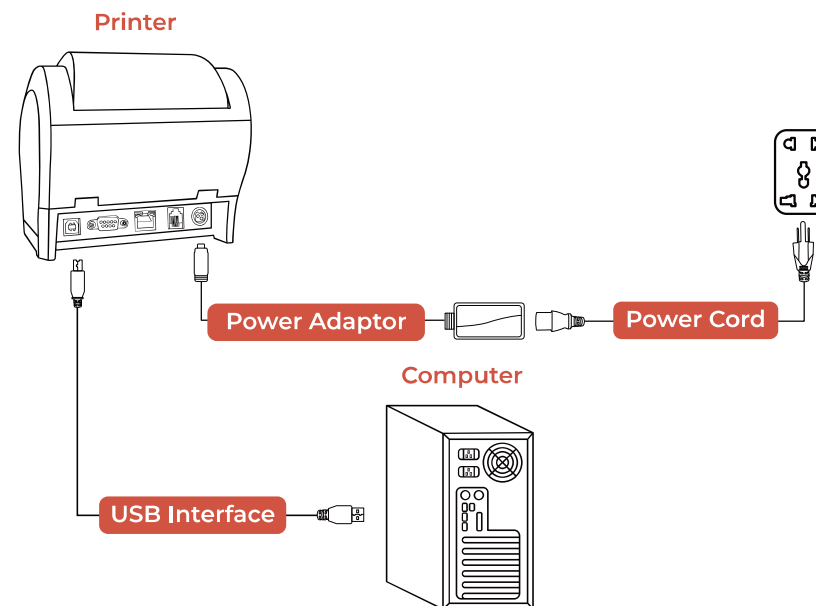
Demo video: munbyn.biz/047WBluetooth



Notice: Only the Bluetooth model ITPP047PUSEB/ITPP047P-UB has Bluetooth function.
The Bluetooth name of ITPP047P is TM-m30 b001, pairing password is 0000

4.1.5 Wi-Fi Printer Installation

- 1) Connect the printer to the power supply and Windows computer, load the paper correctly and turn it on.



- 2) Open the Setting Tool on the Windows computer, and follow the operation video steps to enter the Wi-Fi name and password used for Internet access
- 3) Unplug the USB cable and install the driver on the Windows computer.

Demo video: <http://munbyn.biz/047WiFisetupW>



Notice: Only the Wi-Fi model ITPP047P-USEW/ITPP047P-UW has the Wi-Fi function.

4.2 Set Up The ITPP047P for First Use on MacBook

4.2.1 Download MacBook Driver

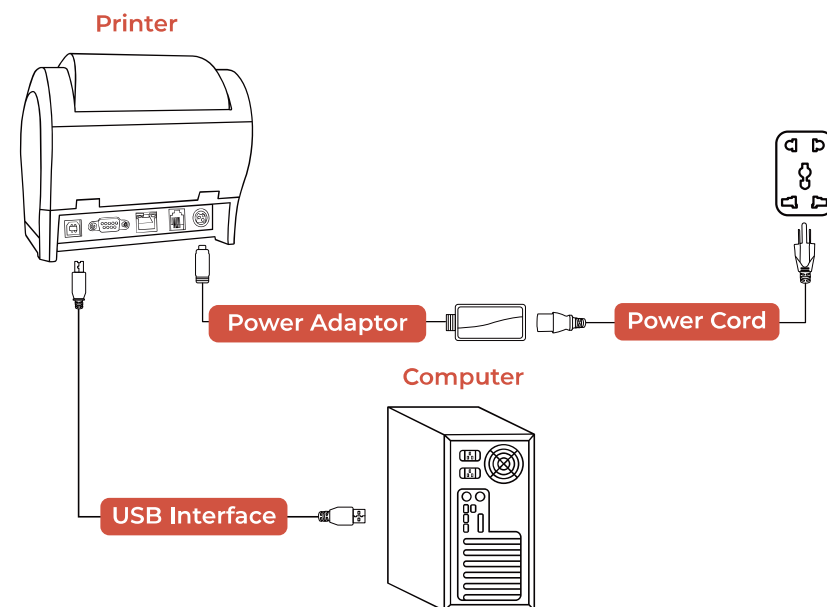
You can click the link below to download the driver.

Driver download: munbyn.biz/047macd



4.2.2 USB Interface

- 1) Connect the printer to the power outlet via the power cord.
- 2) To connect the printer to your Mac, plug one end of the USB cable into your Mac's USB port and the other end into the printer. If needed, use a USB-A to USB-C adapter for Macs with a USB-C port.
- 3) Place the thermal paper into the printer and power it on.



Open the downloaded driver and install it.

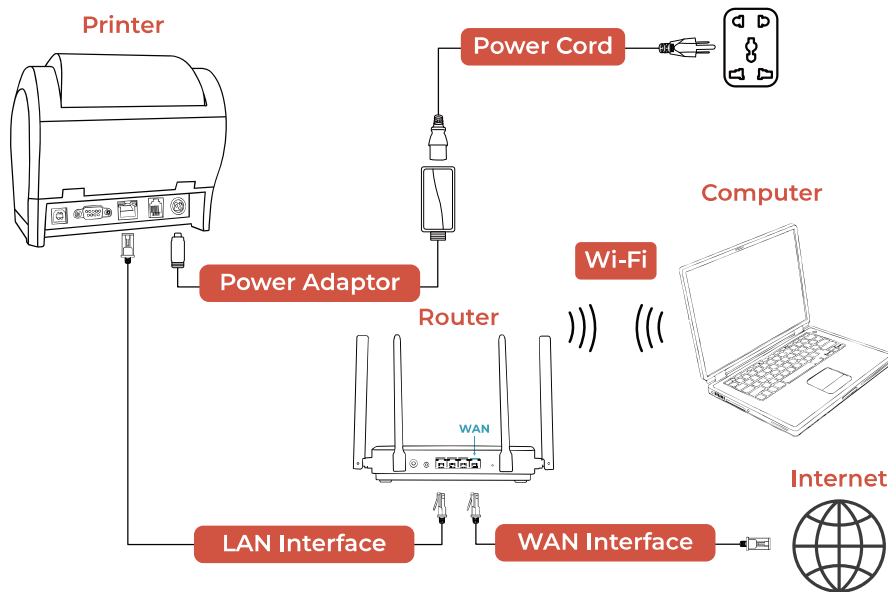
Demo video: munbyn.biz/047MacU



4.2.3 LAN Interface

Notice: Based on the label information at the bottom of the printer, it appears that the ITPP047P-UB and ITPP047P-UW printer models do not have the specified interface.

To connect the printer to the router, use a network cable when the printer is turned off. Power on the printer and wait for it to automatically configure the IP address, which should take around 5 seconds.



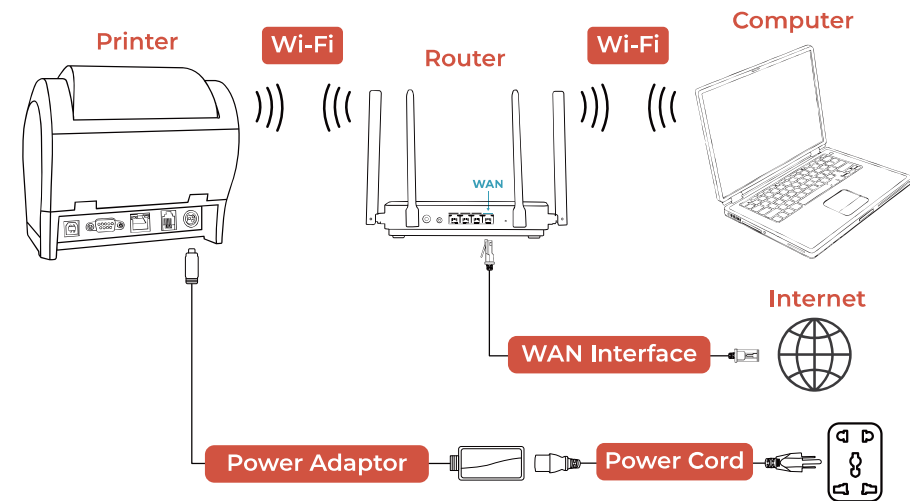
Open the downloaded driver and install it, then follow the demo video to configure the LAN.

Demo video: munbyn.biz/047MACLAN

Notice: Mac computers cannot connect to the printer using Bluetooth, if you want to use Bluetooth connection, please use Windows or Android devices.

4.2.4 Wi-Fi Printer Installation

Connect your computer to the wireless router. Please see the picture below.



Install the driver, follow the tutorial to set the printer's WiFi IP address, and add it as a network printer.

Demo video: <https://munbyn.biz/Mac-WIFI>



Notice: Only the Wi-Fi model ITPP047P-USEW/ITPP047P-UW has the Wi-Fi function.

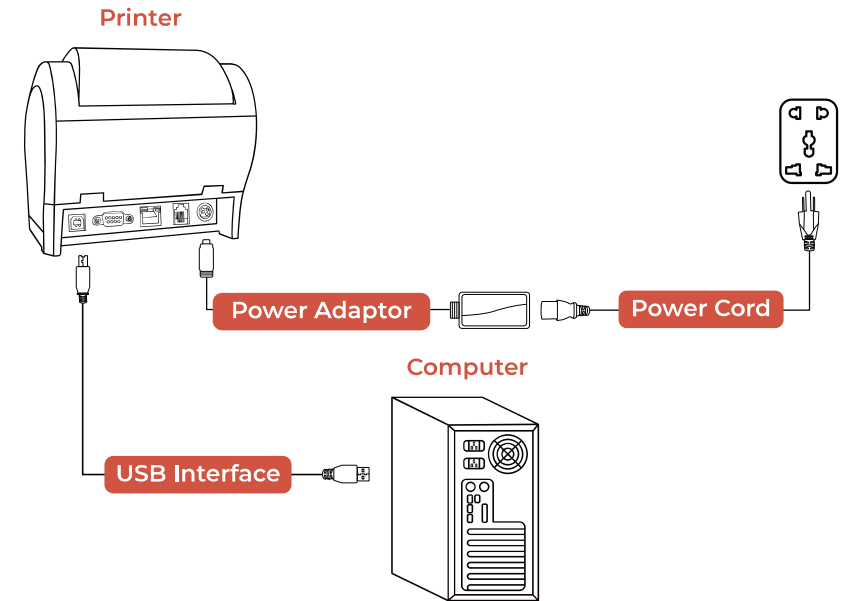
4.3 Set Up The ITPP047P for First Use on Linux

You can download the driver at the link below:

Linux driver download link: <http://u.pc.cd/jxP7>

Raspberry Pi driver download link: munbyn.biz/047Raspd

- 1) Connect the printer to the power outlet via the power cord.
- 2) Connect the printer to your Windows computer via USB.
- 3) Place the thermal paper into the printer and power it on.



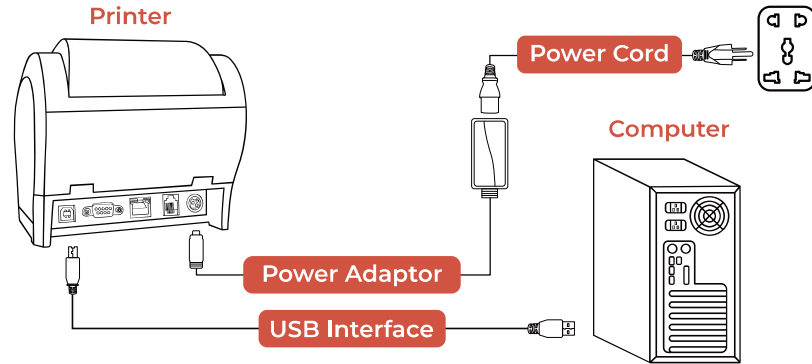
To add a printer, follow the video instructions provided. If you don't have a root password, set it by entering [sudo password root] in the terminal.

Demo video: munbyn.biz/047LINUXU

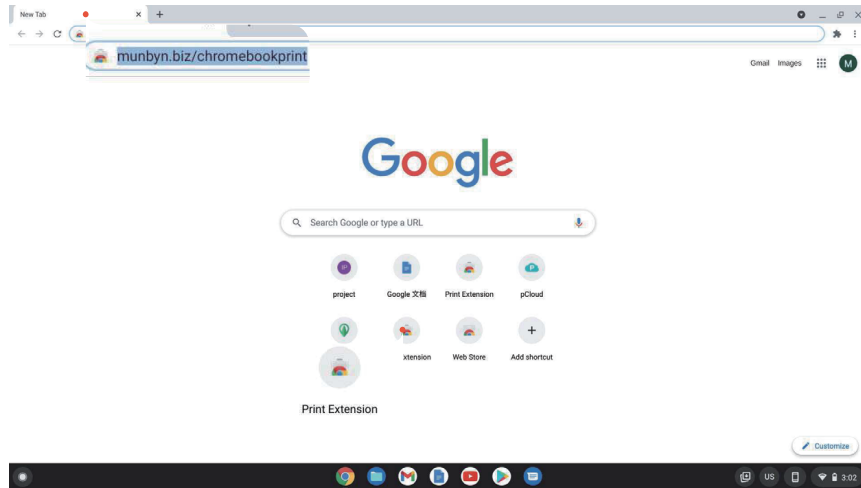


4.4 Set Up The ITPP047P for First Use on Chromebook

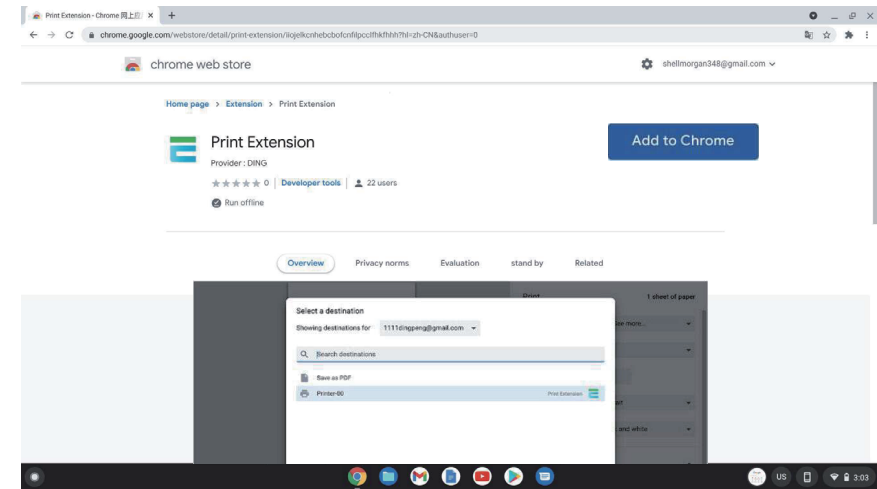
- 1) Connect the printer to the power outlet via the power cord.
- 2) Connect the printer to your Windows computer via USB.
- 3) Place the thermal paper into the printer and power it on.



- 4) Enter in Google Chrome:
<http://munbyn.biz/chromebookprint>



- 5) Click “Add to Chrome” first, and then click “Add extension” to download and add the extension.



- 6) Follow the demo video to add the printer.
Demo video: munbyn.biz/chromebookvideo

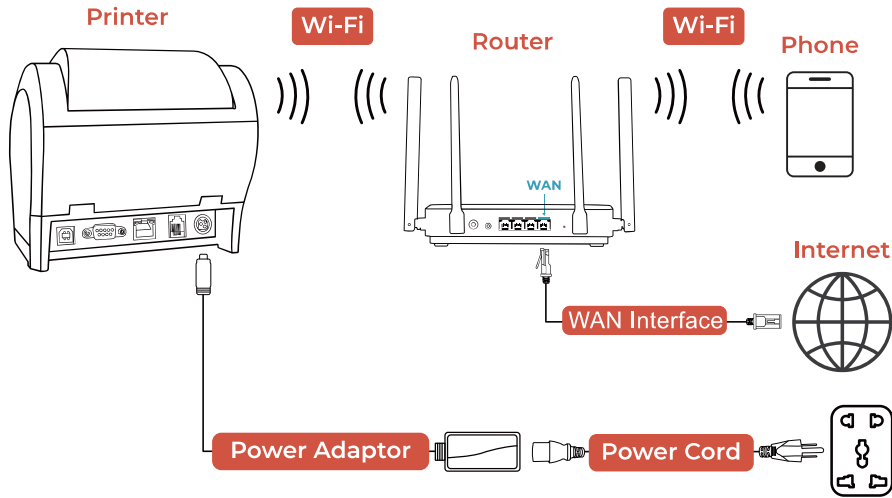


Please refer to section 4.5.1 and 4.5.3 for instructions on connecting the POS APP downloaded from Google Play. Please note that only WiFi or LAN interface options are available.

4.5 Set Up The ITPP047P for First Use on Tablet/Phone

4.5.1 Wi-Fi Printer Installation

Prepare a router and a network cable, and connect the network cable to the router.



Wi-Fi Connection

- 1) Follow the tutorial to set the printer's WiFi IP address.
Demo video: munbyn.biz/047WiFisetupT



- 2) Add a network printer in the POS APP.
Loyverse POS connection video: munbyn.biz/047WiFisetupT



- Square POS connection video for iPad/iphone:
<http://u.pc.cd/x677>



- Square POS connection video for Android devices:
munbyn.biz/047WSquareA



Notice: The Munbyn WiFi printer lacks AirPrint functionality. If the iPad's POS app requires a printer with this feature, you can watch this video to learn how to utilize the EMLabel app for printing: <http://u.pc.cd/D1V7>

4.5.2 Bluetooth Printer Installation

1) Connect to the POS APP that prints the receipt:

Uber Eats Connect Video: munbyn.biz/047UberB



Loyverse Connection Video: munbyn.biz/047LoyverseB



Shopify POS Connection Video: munbyn.biz/047ShopifyB



W&O Connection Video: munbyn.biz/047WNOB



2) Connect to EMLabel APP that prints PDF files:
EMLabel can be downloaded in APP Store or Google Play.

EMLabel APP connection video: <http://u.pc.cd/zWa>



Note: Only the Bluetooth model ITPP047P-USEB/
ITPP047P-UB has the Bluetooth function. The Bluetooth
name of the ITPP047P Bluetooth model is TM-m30 b001.
Only the ITPP047P-USEB Bluetooth model can connect
to Uber Eats on the Android device.



Contact us

✉ support@munbyn.com

☎ +86 18144898200

☎ +1 6502062250

🌐 munbyn.biz/hp047 (Online latest FAQ and how-to video)

If you meet any problem during using the ITPP047P,
please contact us.

IC Caution:

This device complies with Industry Canada's licence-exempt RSSs. Operation is subject to the

following two conditions:

- 1) This device may not cause interference; and
- 2) This device must accept any interference, including interference that may cause undesired operation of the device.

To maintain compliance with RF exposure guidelines, this equipment should be installed and operated with a minimum distance of 20cm between the radiator and your body.

Le présent appareil est conforme aux CNR d'Industrie Canada applicables aux appareils radio exempts de licence. L'exploitation est autorisée aux deux conditions suivantes:

- 1) l'appareil ne doit pas produire de brouillage, et
- 2) l'utilisateur de l'appareil doit accepter tout brouillage radioélectrique subi, même si le brouillage est susceptible d'en compromettre le fonctionnement.

Pour maintenir la conformité aux directives d'exposition aux radiofréquences, cet équipement doit être installé et utilisé avec une distance minimale de 20 cm entre le radiateur et votre corps.

FCC Statement

Changes or modifications not expressly approved by the party responsible for compliance could void the user's authority to operate the equipment.

This equipment has been tested and found to comply with the limits for a Class B digital device, pursuant to Part 15 of the FCC Rules. These limits are designed to provide reasonable protection against harmful interference in a residential installation. This equipment generates uses and can radiate radio frequency energy and, if not installed and used in accordance with the instructions, may cause harmful interference to radio communications. However, there is no guarantee that interference will not occur in a particular installation. If this equipment does cause harmful interference to radio or television reception, which can be determined by turning the equipment off and on, the user is encouraged to try to correct the interference by one or more of the following measures:

- Reorient or relocate the receiving antenna.
- Increase the separation between the equipment and receiver.
- Connect the equipment into an outlet on a circuit different from that to which the receiver is connected.
- Consult the dealer or an experienced radio/TV technician for help.

This device complies with part 15 of the FCC rules. Operation is subject to the following two conditions (1) this device may not cause harmful interference, and (2) this device must accept any interference received, including interference that may cause undesired operation.

This equipment complies with FCC radiation exposure limits set forth for an uncontrolled environment.