

MUNBYN

Munbyn,
More choice for your growing business

Version 2.05

MUNBYN

ITPP047P Easy Setup Guide



1.0 Introduction	1
2.0 Check the Packing List	1
3.0 Paper Loading	3
4.0 Initial Setup		
4.1 Set Up The ITPP047P for First Use on Windows	4
4.1.1 Download Windows Driver	4
4.1.2 USB Interface	4
4.1.3 LAN Interface	5
4.1.4 Bluetooth Printer Installation	6
4.1.5 Wi-Fi Printer Installation	6
4.2 Set Up The ITPP047P for First Use on MacBook	8
4.2.1 Download MacBook Driver	8
4.2.2 USB Interface	8
4.2.3 LAN Interface	9
4.2.4 Wi-Fi Printre Installation	10
4.3 Set Up The ITPP047P for First Use on Linux	11
4.4 Set Up The ITPP047P for First Use on Chromebook	12
4.5 Set Up The ITPP047P for First Use on Android	14
4.5.1 Wi-Fi Printer Installation	14
4.5.2 Bluetooth Printer Installation	16

1.0 Introduction

This document explains the setup procedure for the ITPP047P. Please read the instructions before using the printer. For further instructions, please refer to the ITPP047 software manual.

<http://u.pc.cd/XoActalk>

2.0 Check the Packing List



1. Printer
2. Power Cord
3. Roller
4. User Manual
5. Roll Paper
6. Power Adaptor
7. USB Cable

In case of omission or damage, please contact us via the contact details below.



support@munbyn.com



+1 650 206 2250



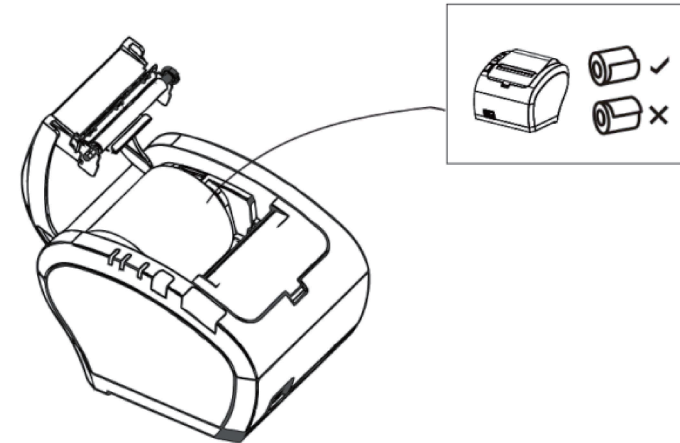
munbyn



Monday to Friday 24 hours

3.0 Paper Loading

1. Press the cover opening button and then open the cover.
2. Insert a roll of paper in the direction shown in the illustration.



3. Pull the end of the paper out straight, and push down the printer cover to close.

4.0 Initial Setup

4.1 Set Up The ITPP047P for First Use on Windows

4.1.1 Download Windows Driver

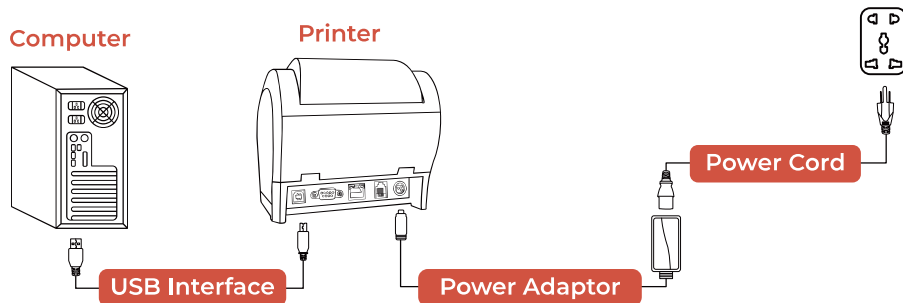
You can download the driver and setup tool at the link below:

Driver download: <http://u.pc.cd/UeTctalk>

Setting tool download: <http://u.pc.cd/0Asrtalk>

4.1.2 USB Interface

- 1) Connect the printer to the power outlet via the power cord.
- 2) Connect the printer to your Windows computer via USB.
- 3) Place the thermal paper into the printer and power it on.

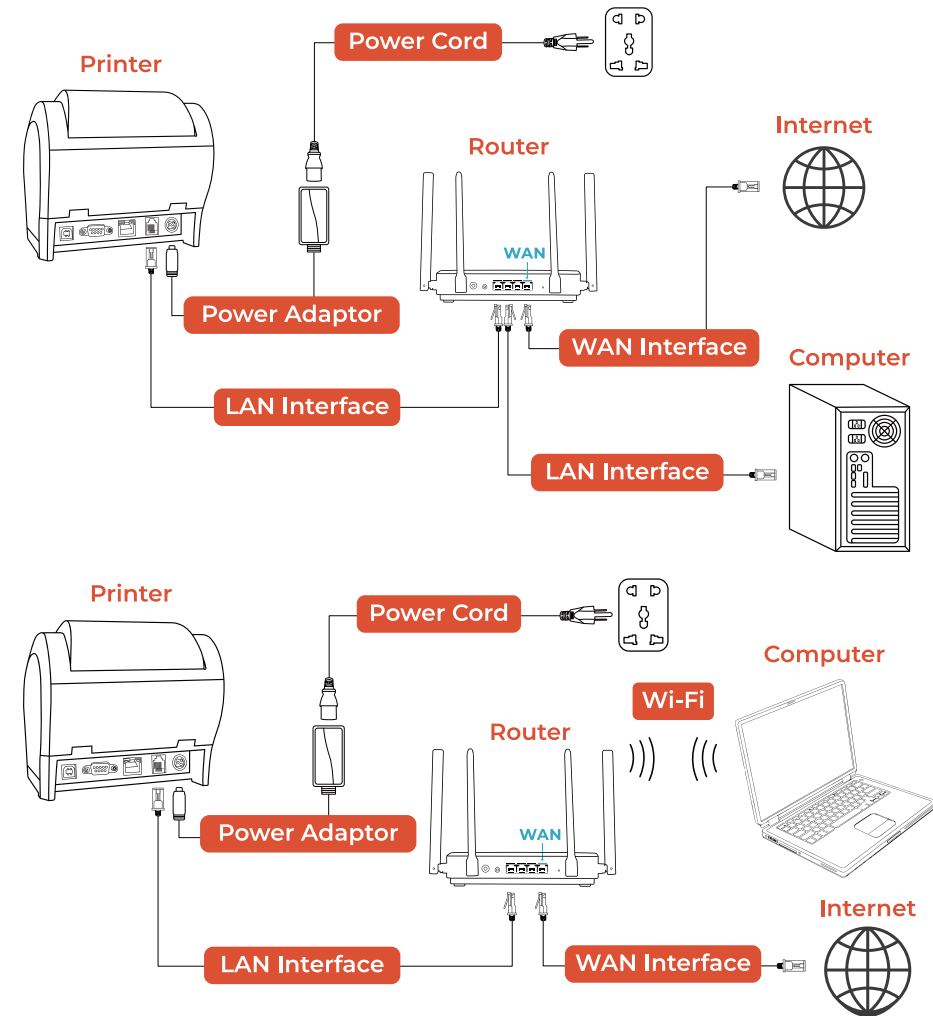


Open the downloaded driver and install it.

Demo video: <http://u.pc.cd/enX>

4.1.3 LAN Interface

- 1) Connect the printer to the router with a network cable. Please see the picture below.



2) Turn on the printer on/off button, and open the download driver and install it, then follow the demo video to configure the LAN.

Demo video: <http://u.pc.cd/rmD>

4.1.4 Bluetooth Printer Installation

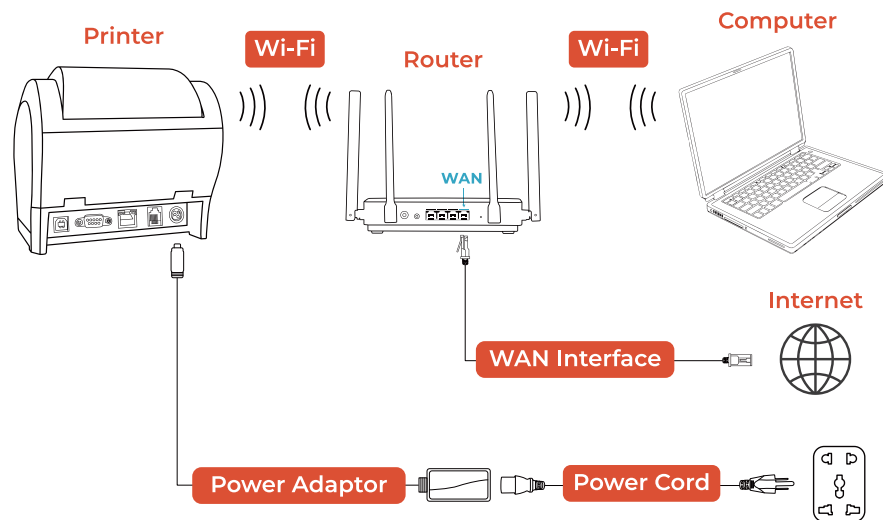
Open the downloaded driver and install it, then follow the demo video to configure Bluetooth.

Demo video: <http://u.pc.cd/5KUrtalk>

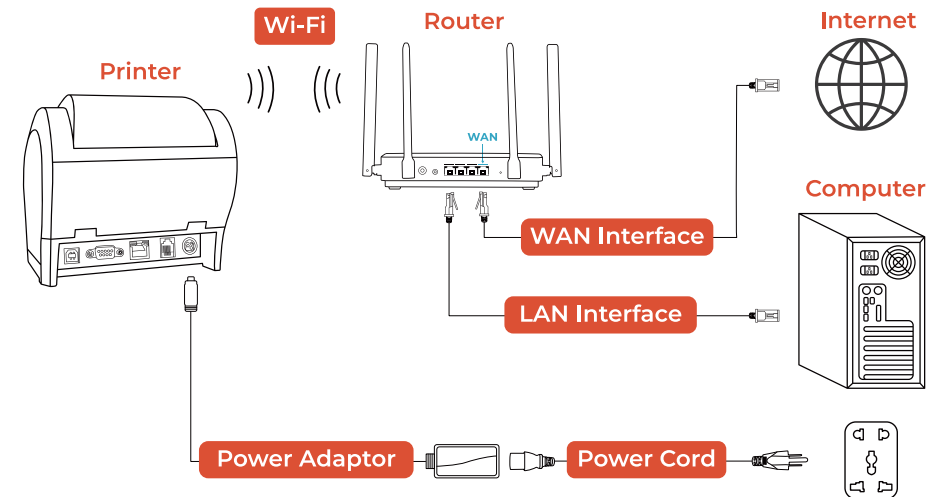
Notice: Only the Bluetooth model ITPP047PUSEB has Bluetooth capability. The printer's Bluetooth name is TM-m30 001

4.1.5 Wi-Fi Printer Installation

1) Connect your computer to the wireless router.
Please see the picture below.



2) Connect the computer to the router with a network cable.
Please see the picture below.



3) Follow the video below to set the printer's new STA IP address

Demo video: <https://youtu.be/IY14NtlOY5U>

4) Open the downloaded driver and install it, then follow the demo video to configure Wi-Fi.

Demo video: <http://u.pc.cd/L9lctalk>

Notice: Only the WiFi model ITPP047PUSEW has WiFi capability. The printer's WiFi name is TM-m30 001

4.2 Set Up The ITPP047P for First Use on MacBook

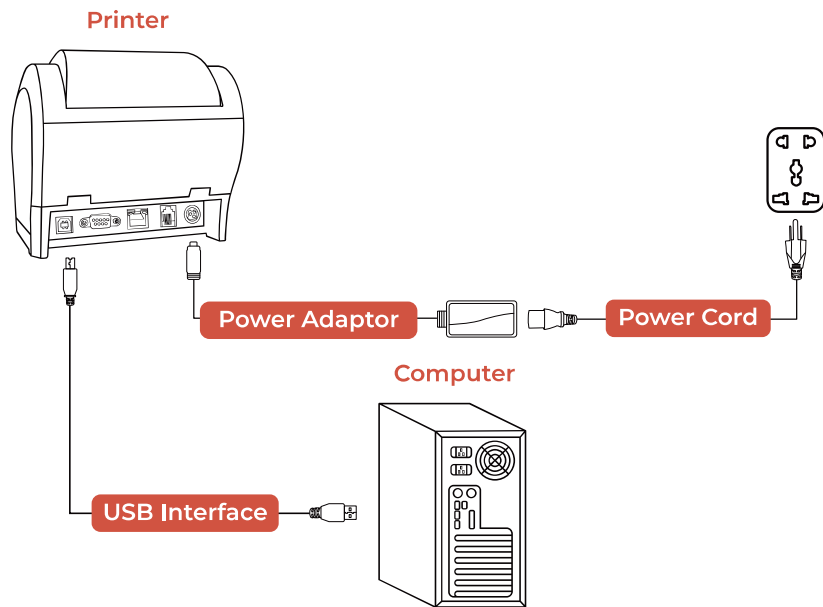
4.2.1 Download MacBook Driver

You can click the link below to download the driver.

Driver download: <http://u.pc.cd/5IHctalk>

4.2.2 USB Interface

- 1) Connect the printer to the power outlet via the power cord.
- 2) Connect the printer to your Windows computer via USB.
- 3) Place the thermal paper into the printer and power it on.

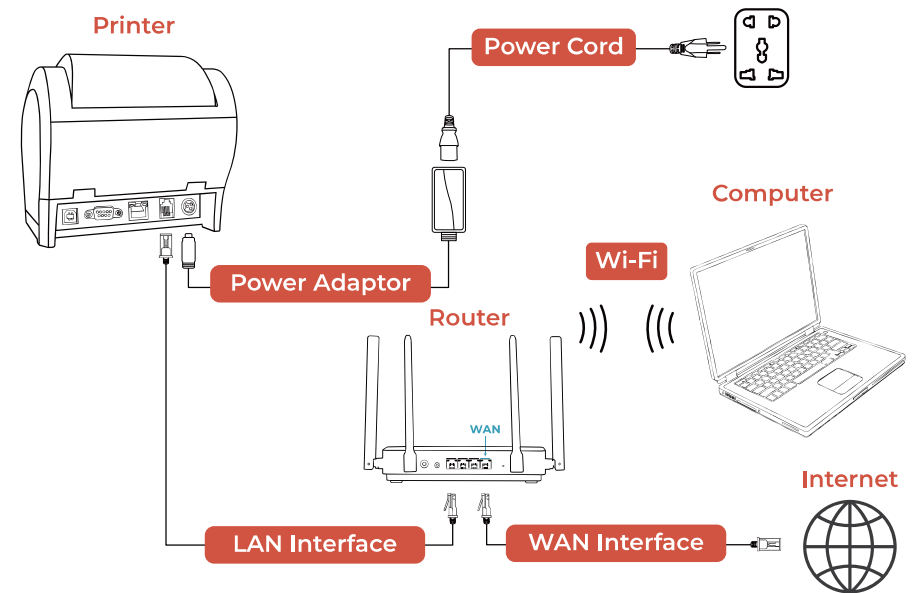


Open the downloaded driver and install it.

Demo video: <http://u.pc.cd/3sSrtalk>

4.2.3 LAN Interface

Connect your computer to the wireless router.
Please see the below picture.



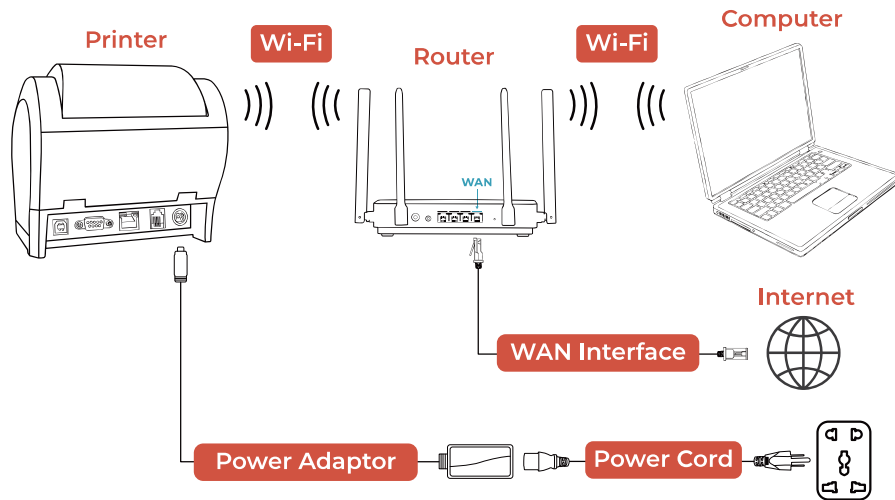
Open the downloaded driver and install it, then follow the demo video to configure the LAN.

Demo video: <http://u.pc.cd/fwrctalk>

Notice: Mac computers cannot connect to the printer using Bluetooth, if you want to use Bluetooth connection, please use Windows or Android devices.

4.2.4 Wi-Fi Printer Installation

Connect your computer to the wireless router.
Please see the picture below.



Open the downloaded driver and install it, then follow the demo video to configure Wi-Fi.

Demo video: <https://munbyn.biz/Mac-WIFI>

Notice: Only the WiFi model ITPP047PUSEW has WiFi capability. The printer's WiFi name is TM-m30 001

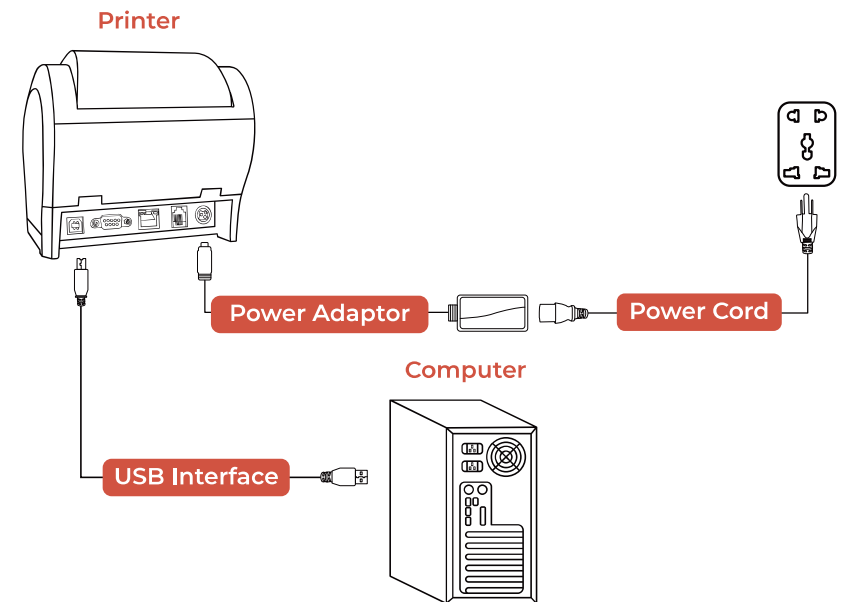
4.3 Set Up The ITPP047P for First Use on Linux

You can download the driver at the link below:

Linux driver download link: <http://u.pc.cd/jxP7>

Raspberry Pi driver download link: <http://u.pc.cd/J6qrtalk>

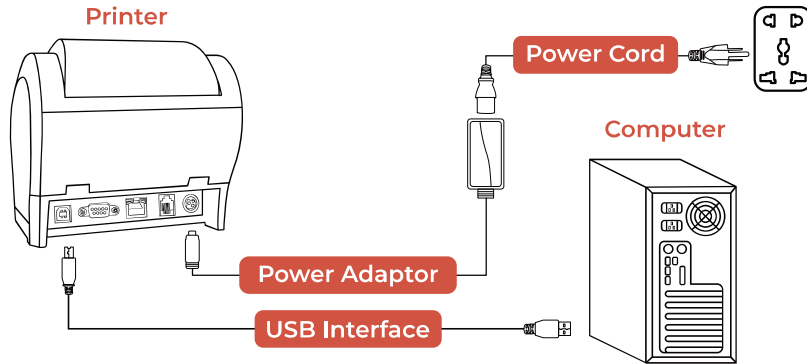
- 1) Connect the printer to the power outlet via the power cord.
- 2) Connect the printer to your Windows computer via USB.
- 3) Place the thermal paper into the printer and power it on.



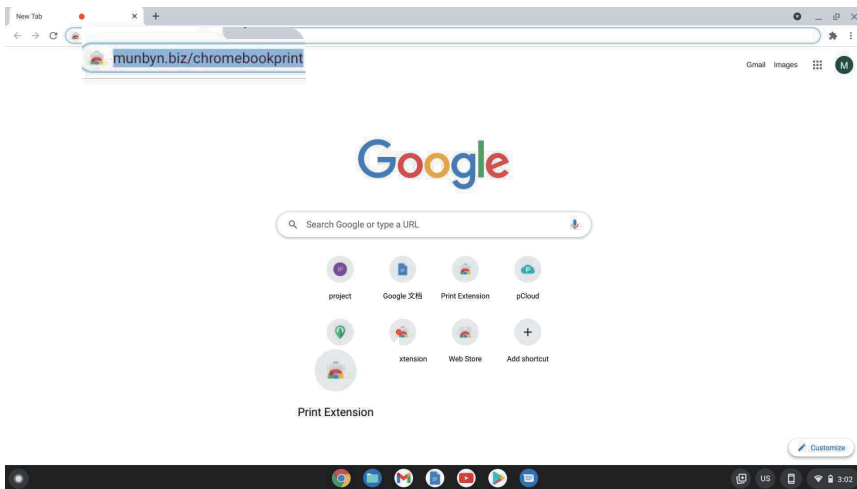
Demo video: <http://u.pc.cd/Rzjctalk>

4.4 Set Up The ITPP047P for First Use on Chromebook

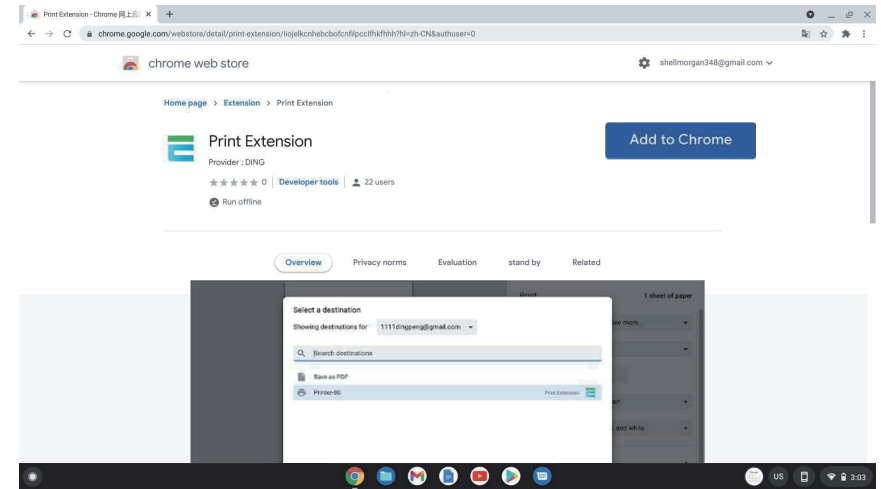
- 1) Connect the printer to the power outlet via the power cord.
- 2) Connect the printer to your Windows computer via USB.
- 3) Place the thermal paper into the printer and power it on.



- 4) Enter in Google Chrome:
<http://munbyn.biz/chromebookprint>



- 5) Click “Add to Chrome” first, and then click “Add extension” to download and add the extension.

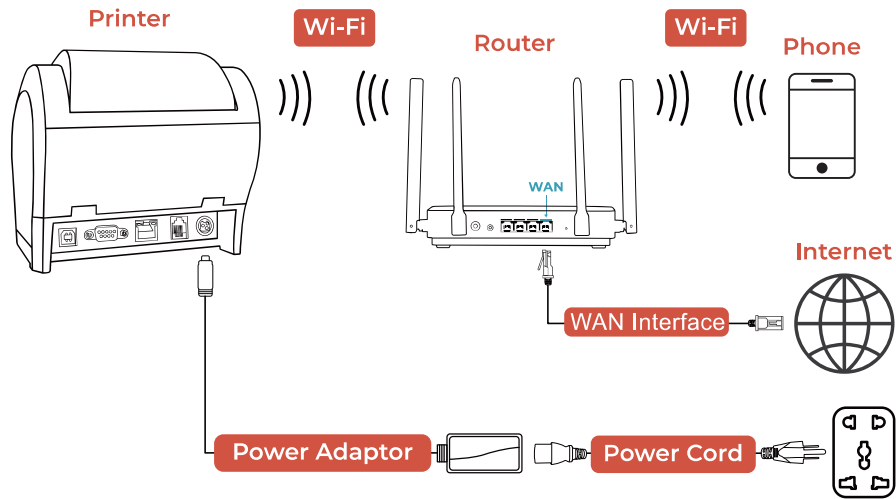


- 6) Follow the demo video to add the printer.
Demo video: <http://u.pc.cd/Bh3itaIK>

4.5 Set Up The ITPP047P for First Use on Android

4.5.1 Wi-Fi Printer Installation

Prepare a router and a network cable, and connect the network cable to the router.



Wi-Fi Connection

Follow the Wi-Fi setup demo video to set up the printer to connect to your router, and finally connect the printer by using the IP address on your Android device.

Wi-Fi setup demo video: <https://youtu.be/IY14NtIOY5U>

Use the IP address to connect the printer in the Android POS App. Take Loyverse App as an example.

Android App Wi-Fi Connection demo video :

<http://u.pc.cd/HpY7>

Notice: Only the WiFi model ITPP047PUSEW has WiFi capability. The printer's WiFi name is TM-m30 001

4.5.2 Bluetooth Printer Installation

Connect the printer with the EMLabel App on an Android device: <http://u.pc.cd/zWa>

EMLabel APP download: <http://u.pc.cd/F5ectalk>

Connect the printer with your POS App to your Android device: <http://u.pc.cd/87ortalK>

Notice: Only the Bluetooth model ITPP047PUSEB has Bluetooth capability. The printer's Bluetooth name is TM-m30 001



Contact us

✉ support@munbyn.com 📞 +86 18144898200 📞 +1 650 206 2250

🌐 support.munbyn.com (Online latest FAQ and how-to video)

If you meet any problem during using the ITPP047P, please contact us.

FCC Statement

Changes or modifications not expressly approved by the party responsible for compliance could void the user's authority to operate the equipment.

This equipment has been tested and found to comply with the limits for a Class B digital device, pursuant to Part 15 of the FCC Rules. These limits are designed to provide reasonable protection against harmful interference in a residential installation. This equipment generates uses and can radiate radio frequency energy and, if not installed and used in accordance with the instructions, may cause harmful interference to radio communications. However, there is no guarantee that interference will not occur in a particular installation. If this equipment does cause harmful interference to radio or television reception, which can be determined by turning the equipment off and on, the user is encouraged to try to correct the interference by one or more of the following measures:

- Reorient or relocate the receiving antenna.
- Increase the separation between the equipment and receiver.
- Connect the equipment into an outlet on a circuit different from that to which the receiver is connected.
- Consult the dealer or an experienced radio/TV technician for help.

This device complies with part 15 of the FCC rules. Operation is subject to the following two conditions (1) this device may not cause harmful interference, and (2) this device must accept any interference received, including interference that may cause undesired operation.

This equipment complies with FCC radiation exposure limits set forth for an uncontrolled environment.