



KODAK PIXPRO AZ425

DIGITAL CAMERA



- Quick Start Guide
- Guide de démarrage rapide
- Guia de início rápido
- Guia de Inicialização rápida
- Schnellstartanleitung
- Краткое руководство
- Üzembe helyezési útmutató
- Guida avvio veloce
- Коротка інструкція



The Kodak trademark, logo and trade dress are used under license from Eastman Kodak Company.

La marque de commerce Kodak, logo et son apparence sont utilisées sous licence Eastman Kodak Company.

La marca, el logotipo y la imagen comercial Kodak son usadas bajo licencia de Eastman Kodak Company.

A marca, logotipo e a imagem comercial Kodak são usadas sob licença da Eastman Kodak Company.

Die Kodak, das Logo und die Kodak-Markenausstattung werden unter Lizenz von Eastman Kodak Company genutzt.

Товарный знак Kodak, логотип и товарная упаковка используются по лицензии компании Eastman Kodak Company.

A Kodak márkajelzés, embléma és kereskedelmi jelzés használata a Eastman Kodak Company engedélyével történik.

Il marchio Kodak, logo ed il trade dress Kodak sono usati sotto licenza di Eastman Kodak Company.

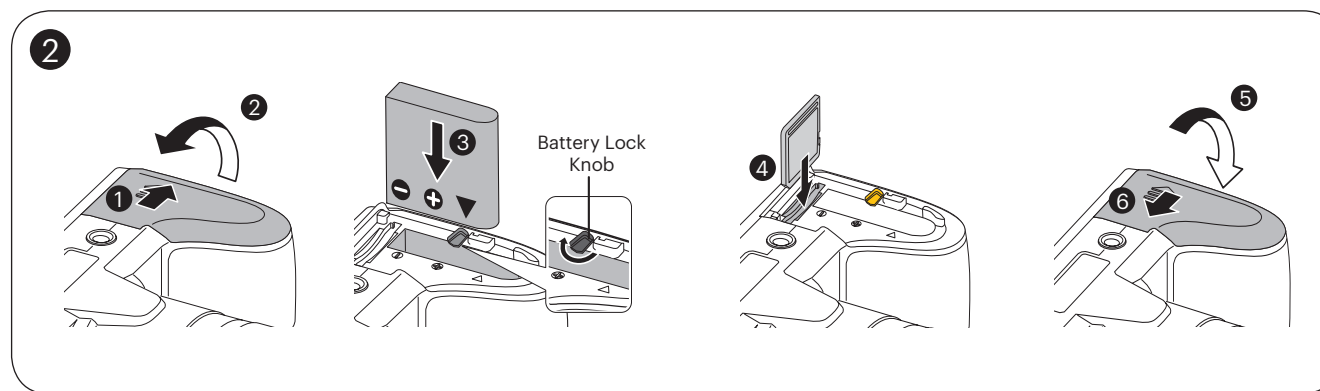
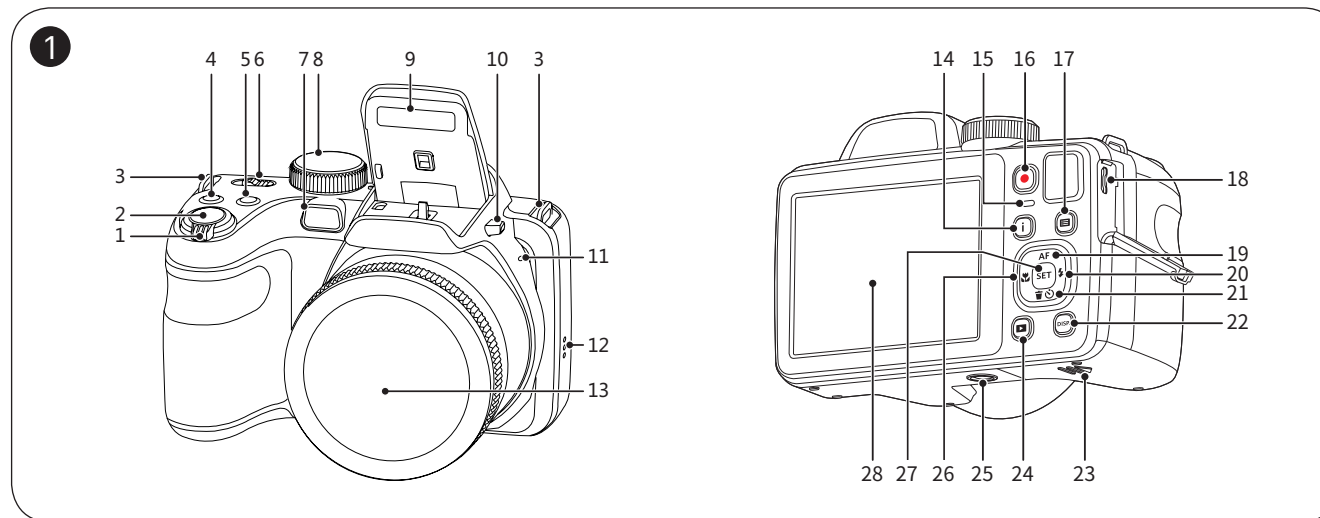
Торгова марка Kodak, логотип та фірмовий стиль використовуються за ліцензією Eastman Kodak Company.

© 2022 JK Imaging Ltd. All Rights Reserved.

JK Imaging Ltd., 17239 So. Main Street, Gardena, CA 90248 USA

JK Imaging Europe, 71 Clarendon Road, Watford, WD17 1DS, UK

kodakpixpro.com



IMPORTANT MEMORY CARD INFORMATION

A memory card (SD / SDHC / SDXC) is necessary to store photos and videos and is not included in all camera packaging. It needs to be purchased separately. Please use a memory card which is Class 10 or higher and has a capacity of 4GB to 512GB. The camera is not compatible with Micro SD, Ultra, Ultra Plus, Extreme, XC, or adapters for any of these other memory cards.

The detailed Camera User Manual is available online at the website below:
Le Manuel d'utilisation de l'Appareil Photo est disponible dans le site internet suivant:

El manual de usuario de la cámara se encuentra disponible en el siguiente sitio web:

O Manual do usuário da Câmera estão disponíveis no site Web abaixo:
Das Benutzerhandbuch der Kamera ist auf der folgenden Website verfügbar:

Руководство пользователя камеры размещены на веб-сайте:
A kamera Felhasználói kézikönyv az alábbi webhelyen található:
Il manuale dell'utente della fotocamera è disponibili al sito web riportato sotto:

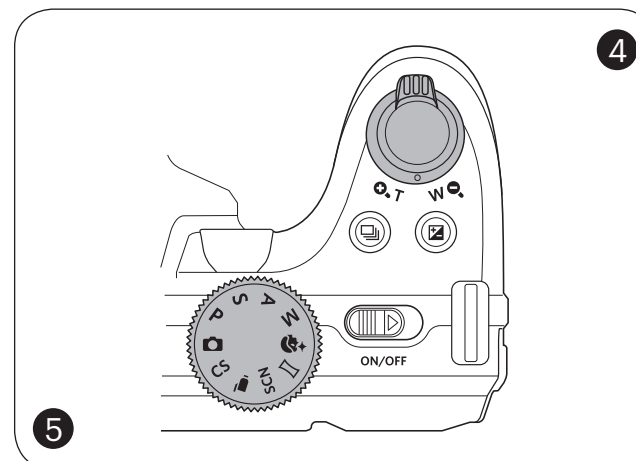
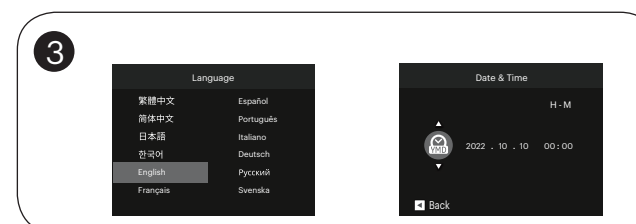
інструкції до камери користувача доступний на веб-сайті нижче:



<https://kodakpixpro.com/az425/user-manual/>



<http://www.kodakpixpro.com/Europe/support/multi-lang-downloads.php>



1 Camera Views

1	Zoom Lever	15	Indicator Lamp
2	Shutter Button	16	Fast Video Recording Button
3	Strap Eyelet	17	Menu Button
4	Exposure Compensation Button	18	Micro USB Port
5	Continuous Shot Button	19	AF Button / Arrow Button (Up)
6	Power Switch	20	Flash Button / Arrow Button (Right)
7	AF Assist Beam / Self-Timer Lamp	21	Delete Button / Self-Timer Button / Arrow Button (Down)
8	Mode Dial	22	Display Button
9	Flash Lamp	23	Battery Door Cover
10	Flash Button	24	Playback Button
11	Microphone	25	Tripod Socket
12	Speaker	26	Macro Button / Arrow Button (Left)
13	Lens	27	SET Button
14	"i" Button	28	LCD

2 Insert the Battery and the Memory Card

1. Open the Battery Cover Door as show in step ① and ②.
2. Insert the Battery into the battery compartment.
3. Insert the Memory Card into the slot.
4. Close the Battery Cover Door as shown in step ⑤ and ⑥.

3 Setting the Language / Date / Time

1. Push the Power Switch to turn the camera on and the language menu will appear. Use the Up / Down / Left / Right buttons to select a language and press the button to confirm the language.
2. Use the Up / Down / Left / Right buttons again to set the date and time and press the button to confirm.

4 Taking a Picture

1. Hold the camera securely.
2. Use the Zoom Lever to select Tele or Wide positions to zoom in or out on your subject.
3. Press the Shutter Button half way down to focus on the subject. When the focus frame turns green, press the Shutter Button completely down to take your photo.

5 Using the Mode Dial

This camera provides a convenient Mode Dial that allows you to manually switch among different camera settings with ease. Available modes are listed below:

	Auto Mode		Face Beautifier
	Program AE		Panorama Mode
	Shutter Priority		SCN Scene Mode
	Aperture Priority		Movie Mode
	Manual Mode		CS Custom Settings

6 Using the Fast Video Recording Button

In Shooting Mode, press the button to begin recording a video. After recording, press the button again to stop recording. The camera will store the video and return to the shooting screen.

7 Using the Menu Button

In each mode, press the button to access the "Easy Menu". Press the [] / [] buttons to move among options, then press the button to make a selection. Choosing the within this list will provide access to the "Full Menu":

Shooting Mode	Playback Mode